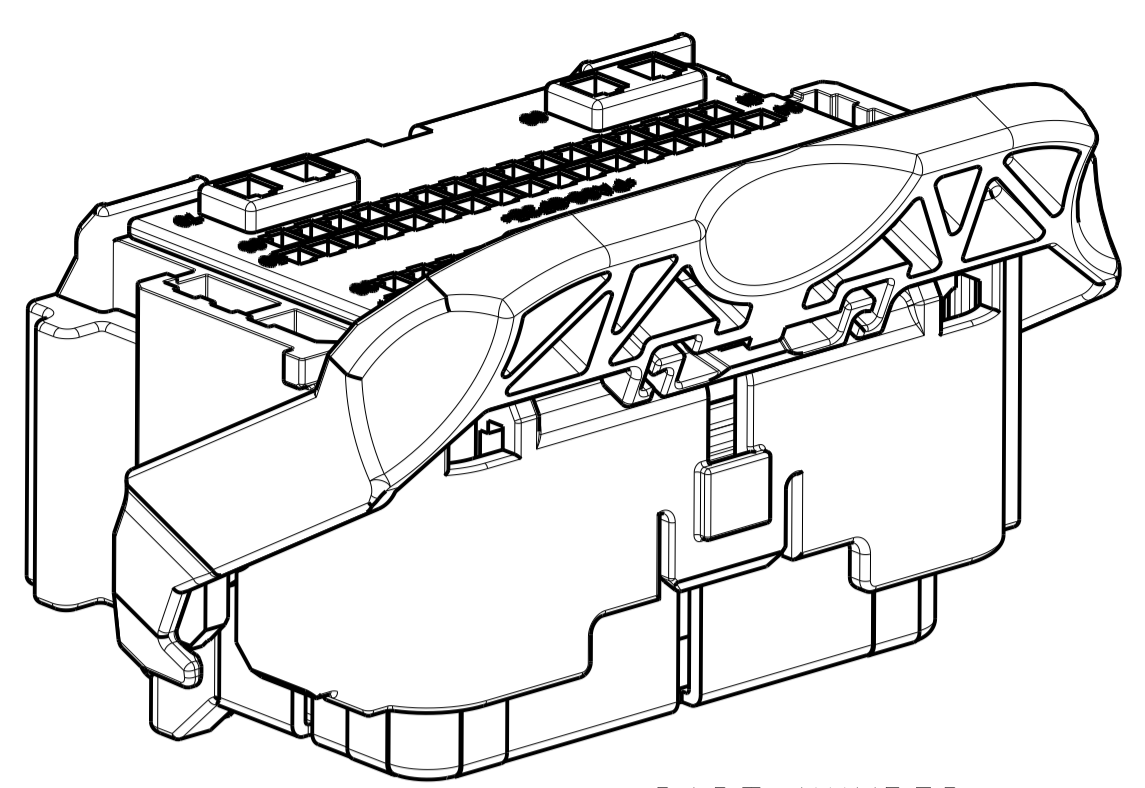
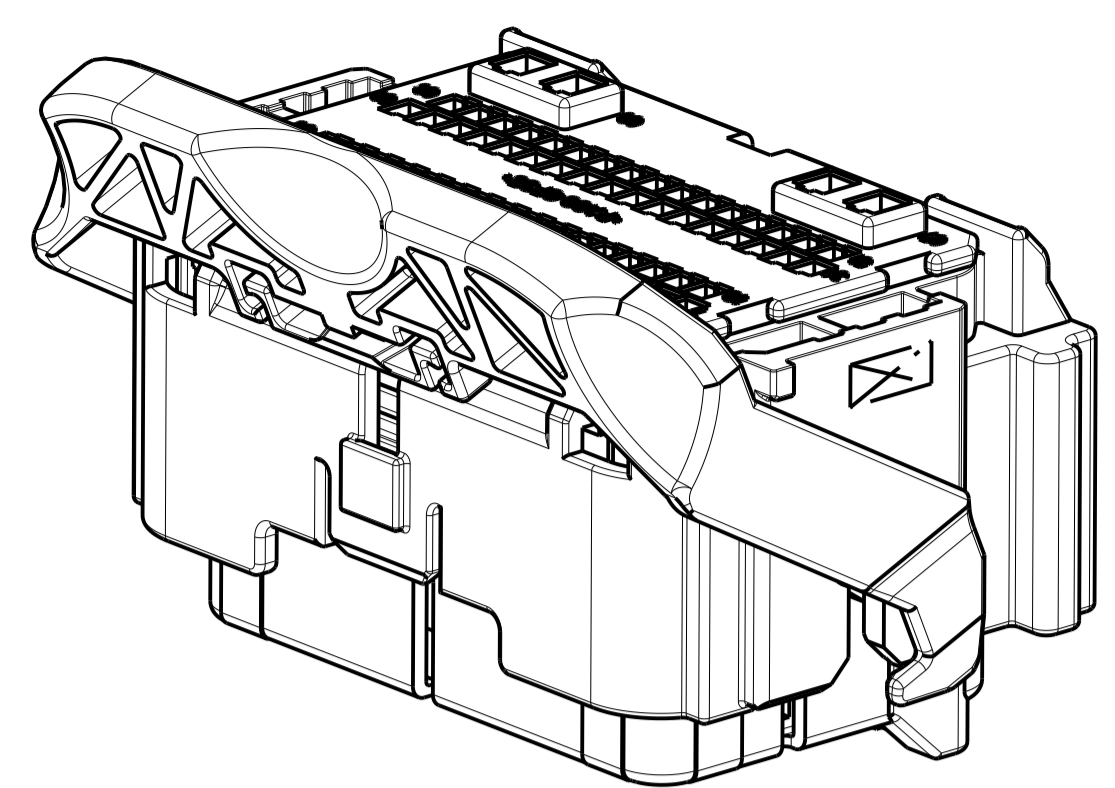
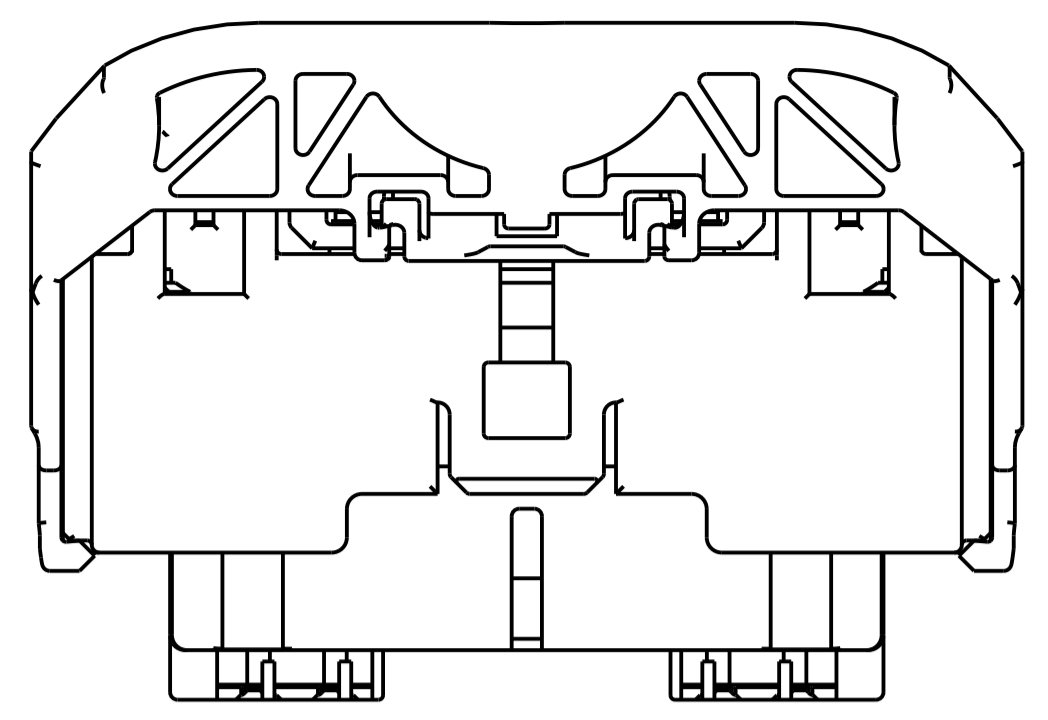


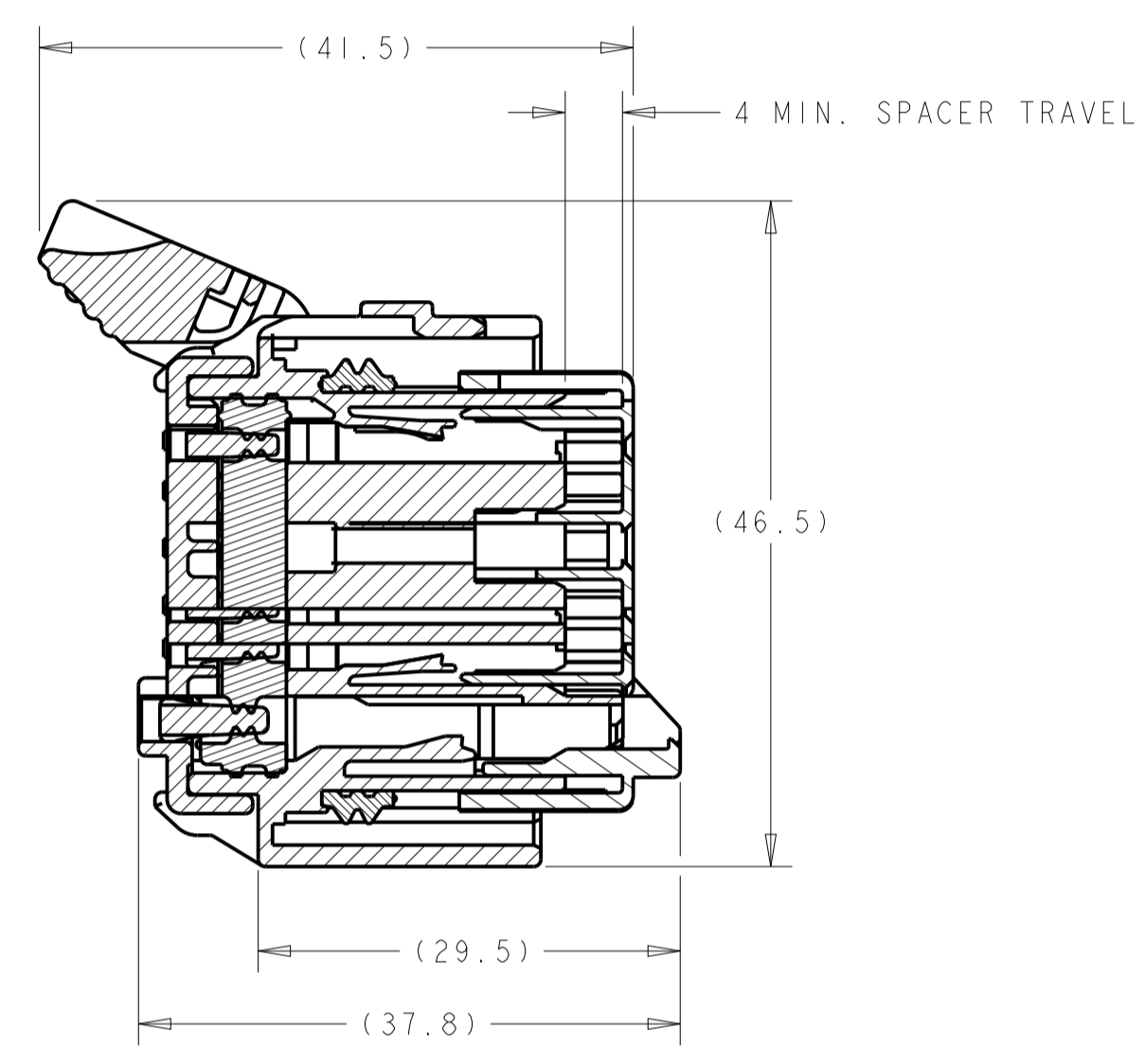
REVISIONS				
P.	LTN	DESCRIPTION	DATE	OWN APVD
G45		REVISED PER ECO-13-011449	16JUL2013	DLD DCM
G46		REVISED PER ECO-14-007153	19MAY2014	DLD DCM
G47		REVISED PER ECO-14-014965	09OCT2013	DLD DCM



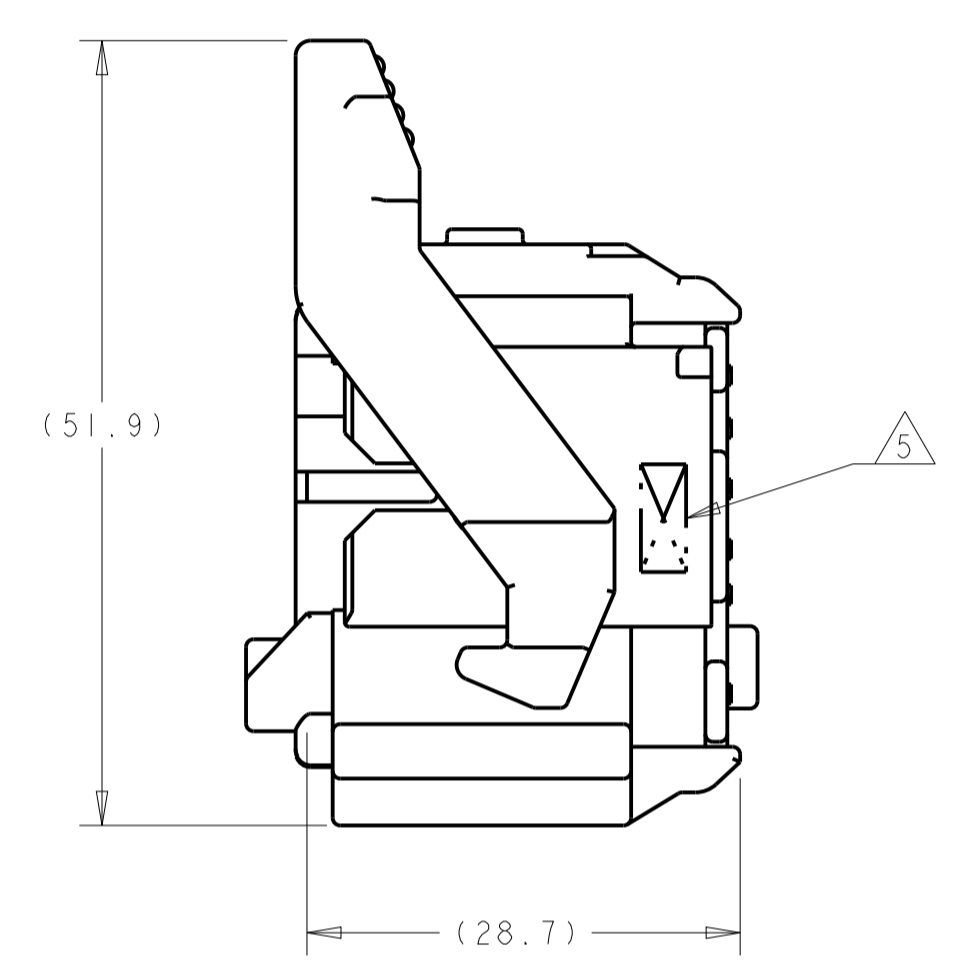
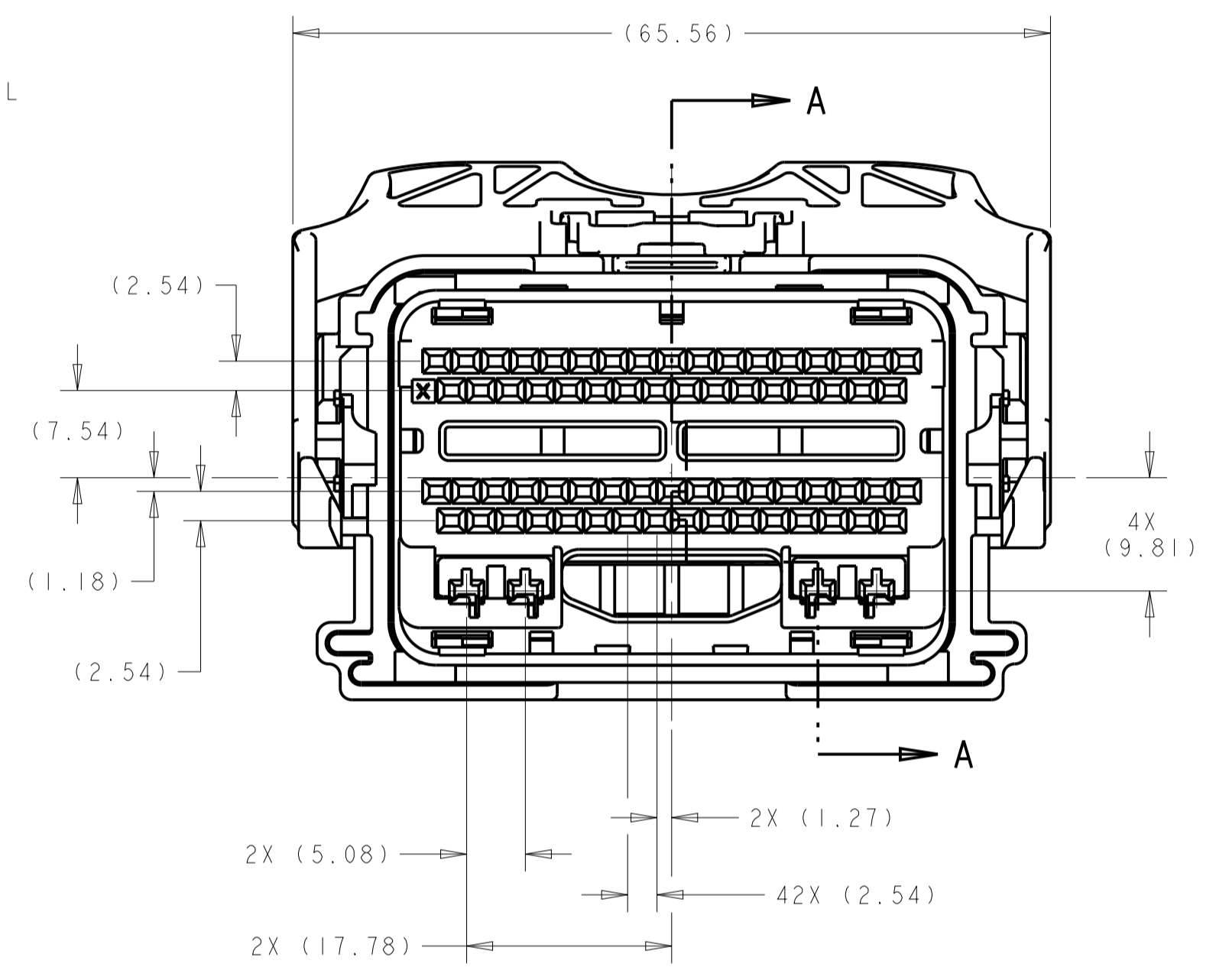
PART NUMBER:
1438136-1
SHOWN WITH SPACER
IN SEATED POSITION



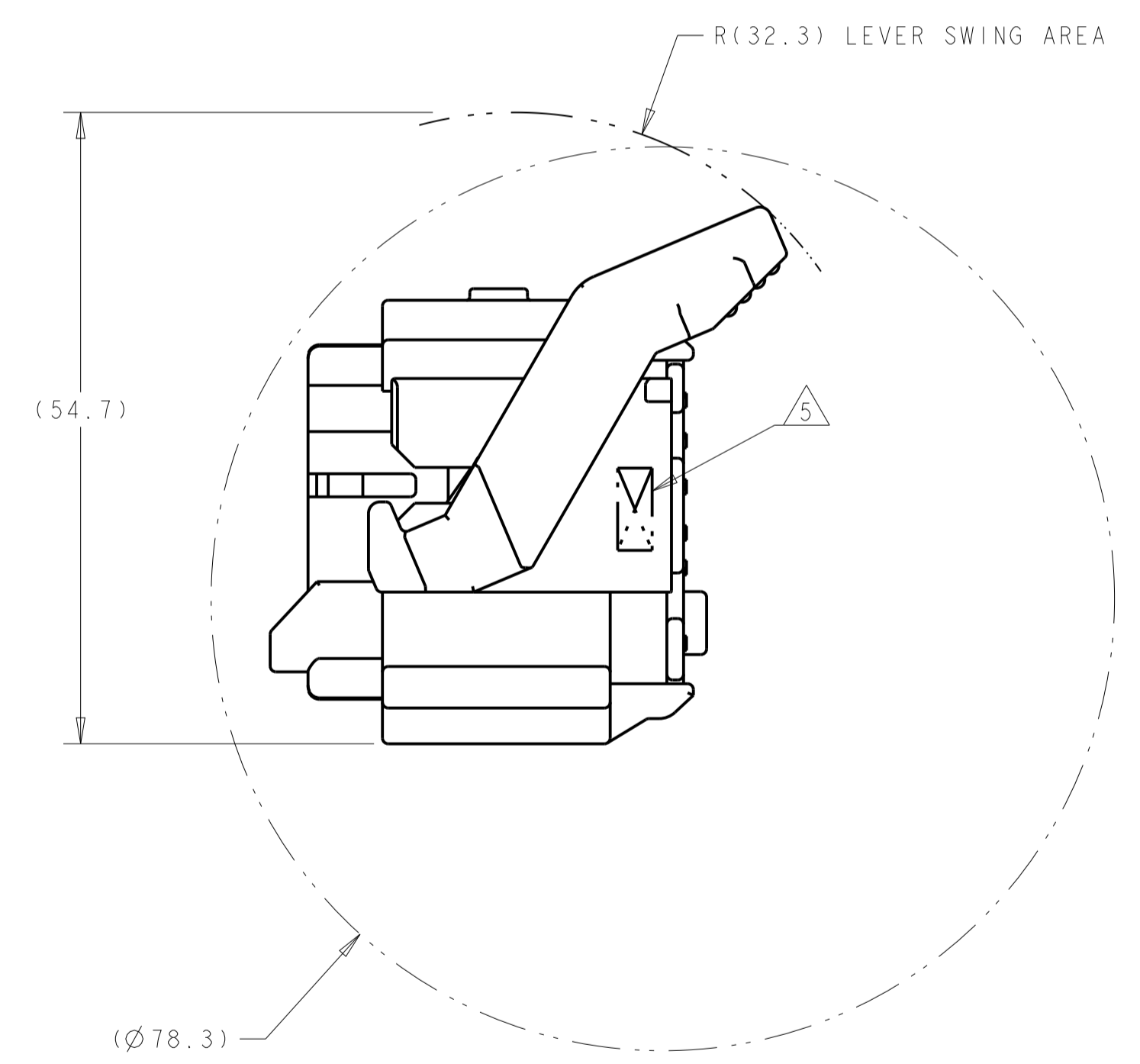
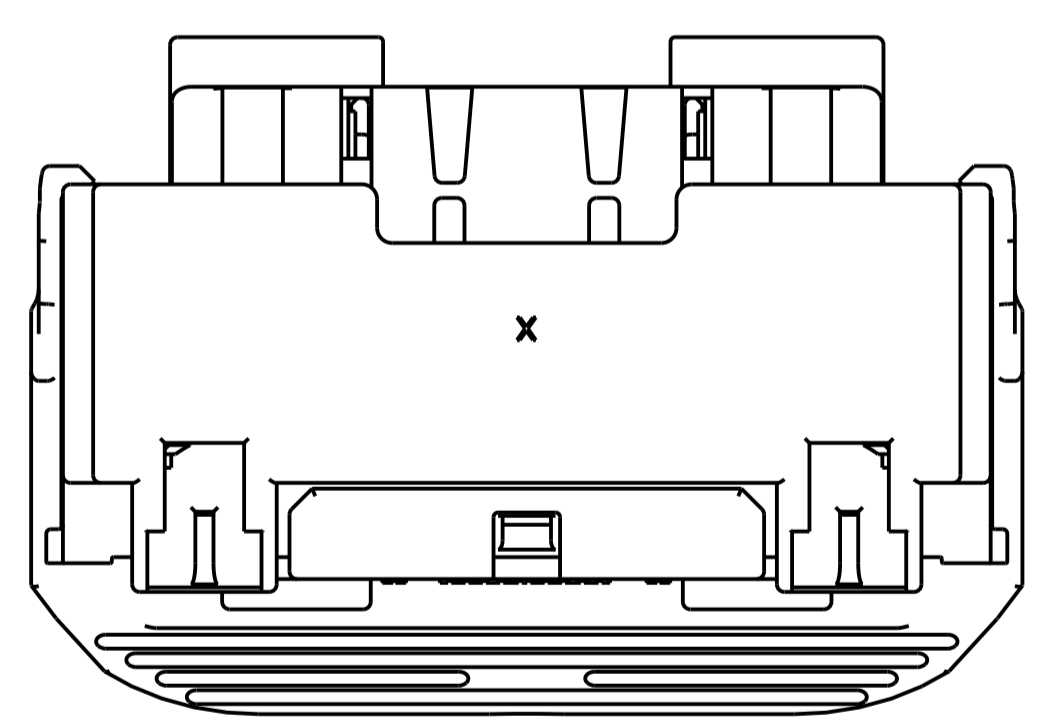
1. PRINT FORD PART NUMBER (SEE ATTACHED CHARTS) AND TRACEABILITY CODE (YY = 2 DIGIT YEAR, JJJ = JULIAN DATE, HH = 2 DIGIT MILITARY HOUR) IN THIS LOCATION AT ASSEMBLY. SEE SHEETS 3, 4 AND 5 (-*) PART NUMBERS.
 2. APPLICABLE MOLEX (1.5) POWER TERMINAL PART NUMBERS:
33012-0002 TIN 0.50-1.50mm²
 3. CAM LEVER AND SPACER ARE SHIPPED IN THEIR PRE-ASSEMBLED POSITIONS.
 4. REFERENCE TE INSTRUCTION SHEET 408-8893.
- △ COMPANY LOGO.



SECTION A-A
SPACER AND LEVER
IN PRE-SEATED POSITION
(DELIVERY POSITION)



SHOWN WITH CAM
LEVER AND SPACER
IN LOADED POSITION



MIN. FEED THRU CONDITION
WITH 1mm CLEARANCE ALL AROUND
SHOWN WITH SPACER IN SEATED POSITION

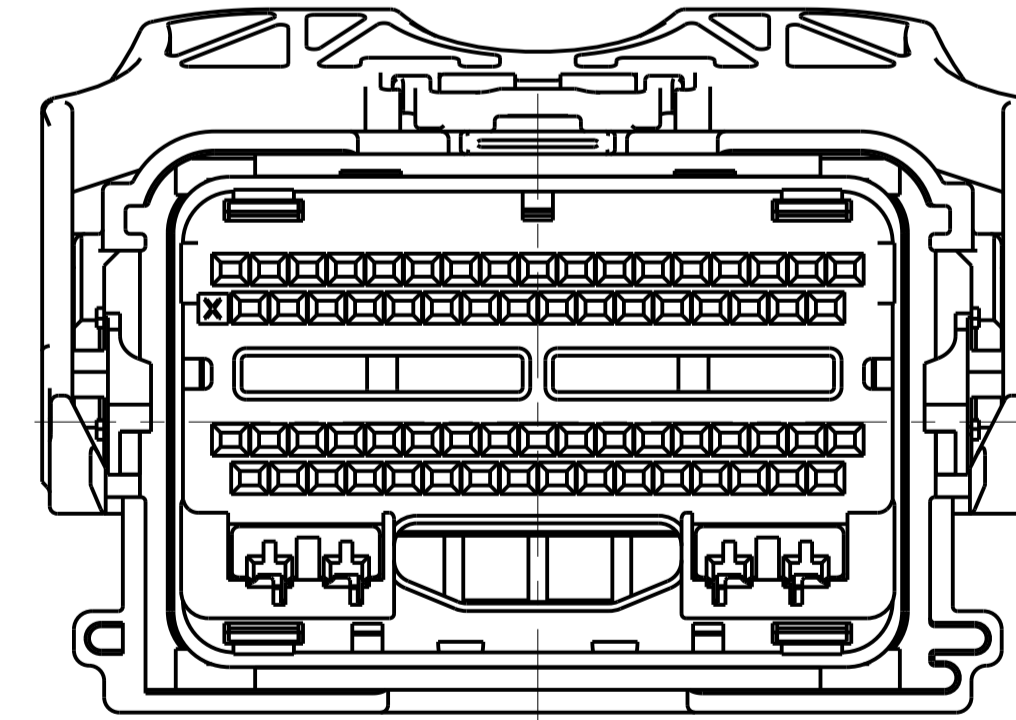
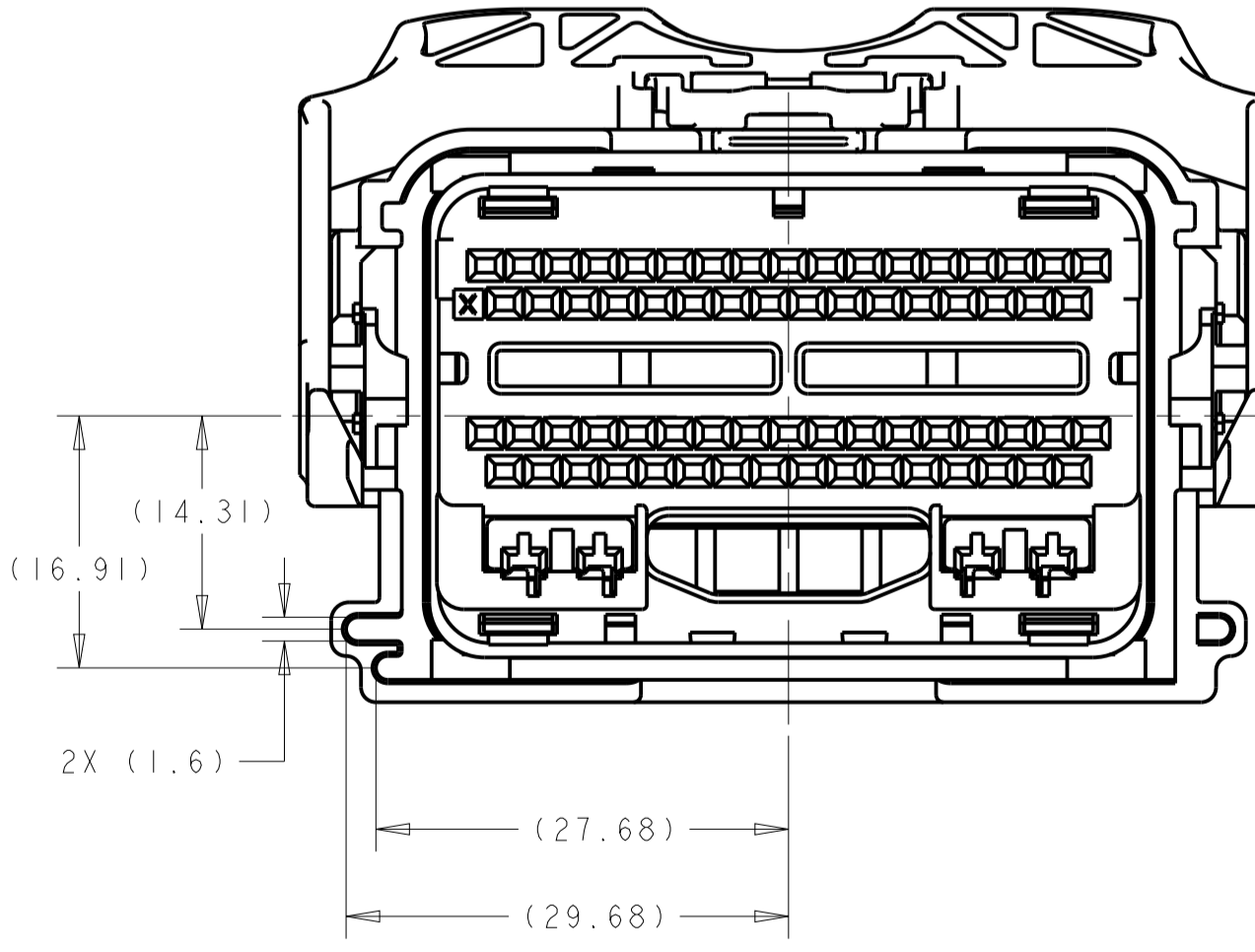
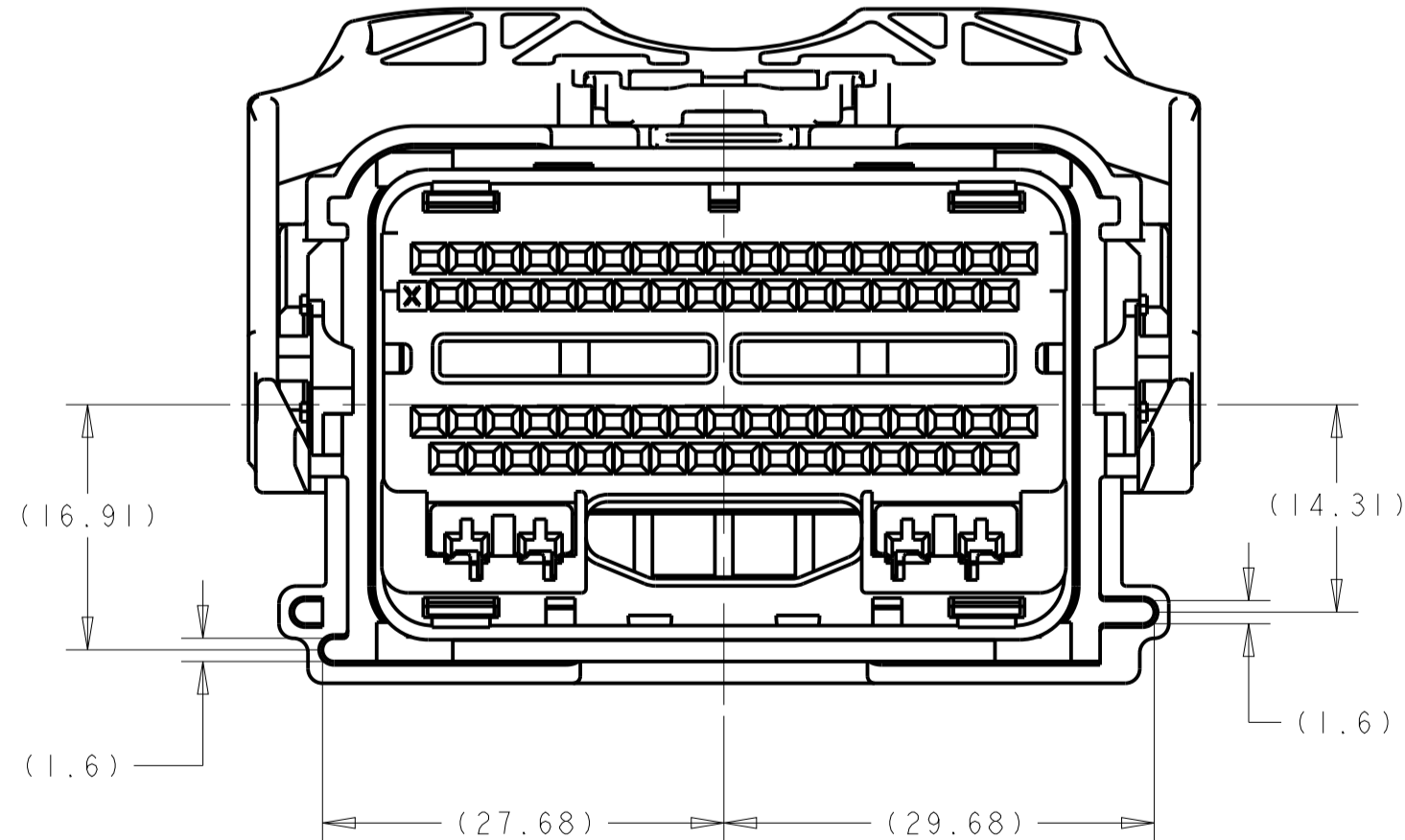
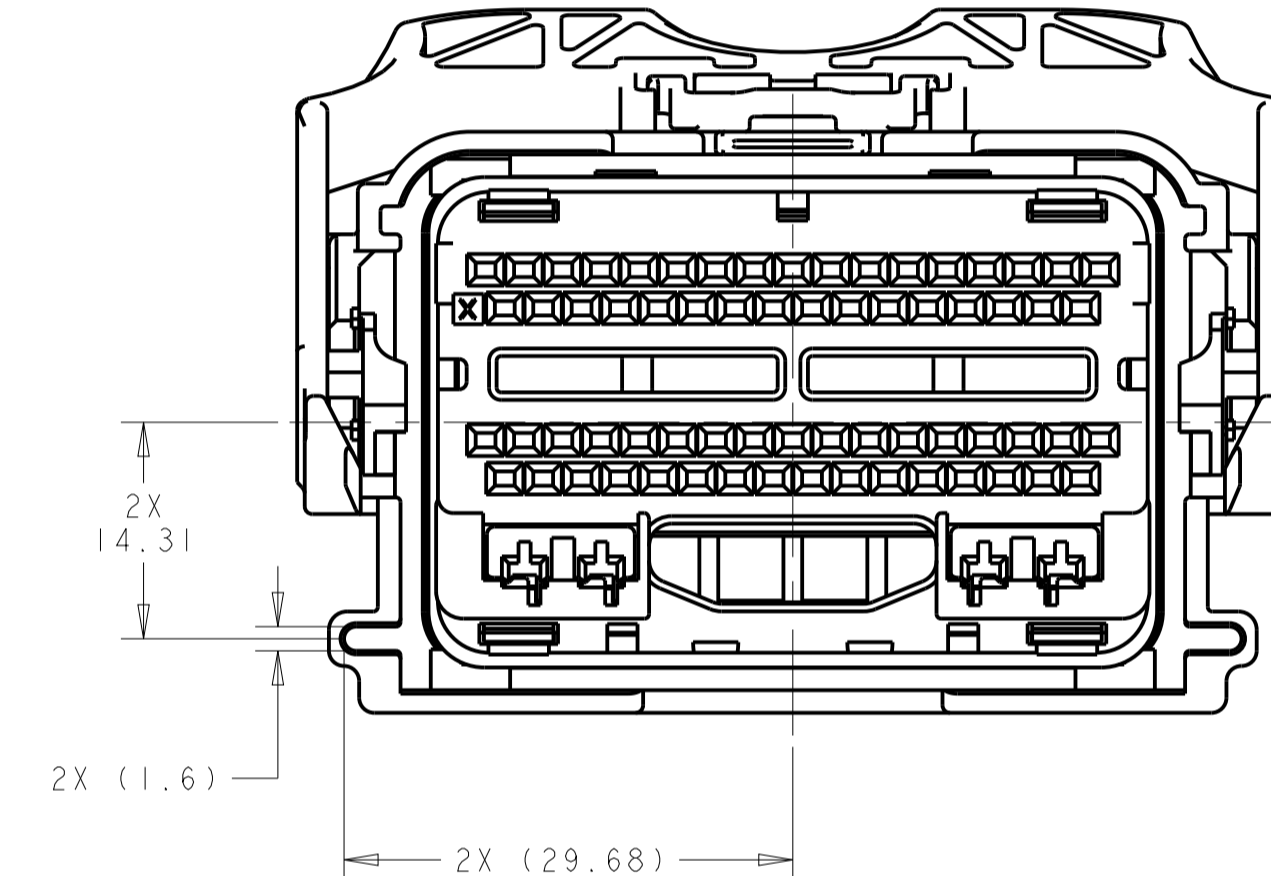
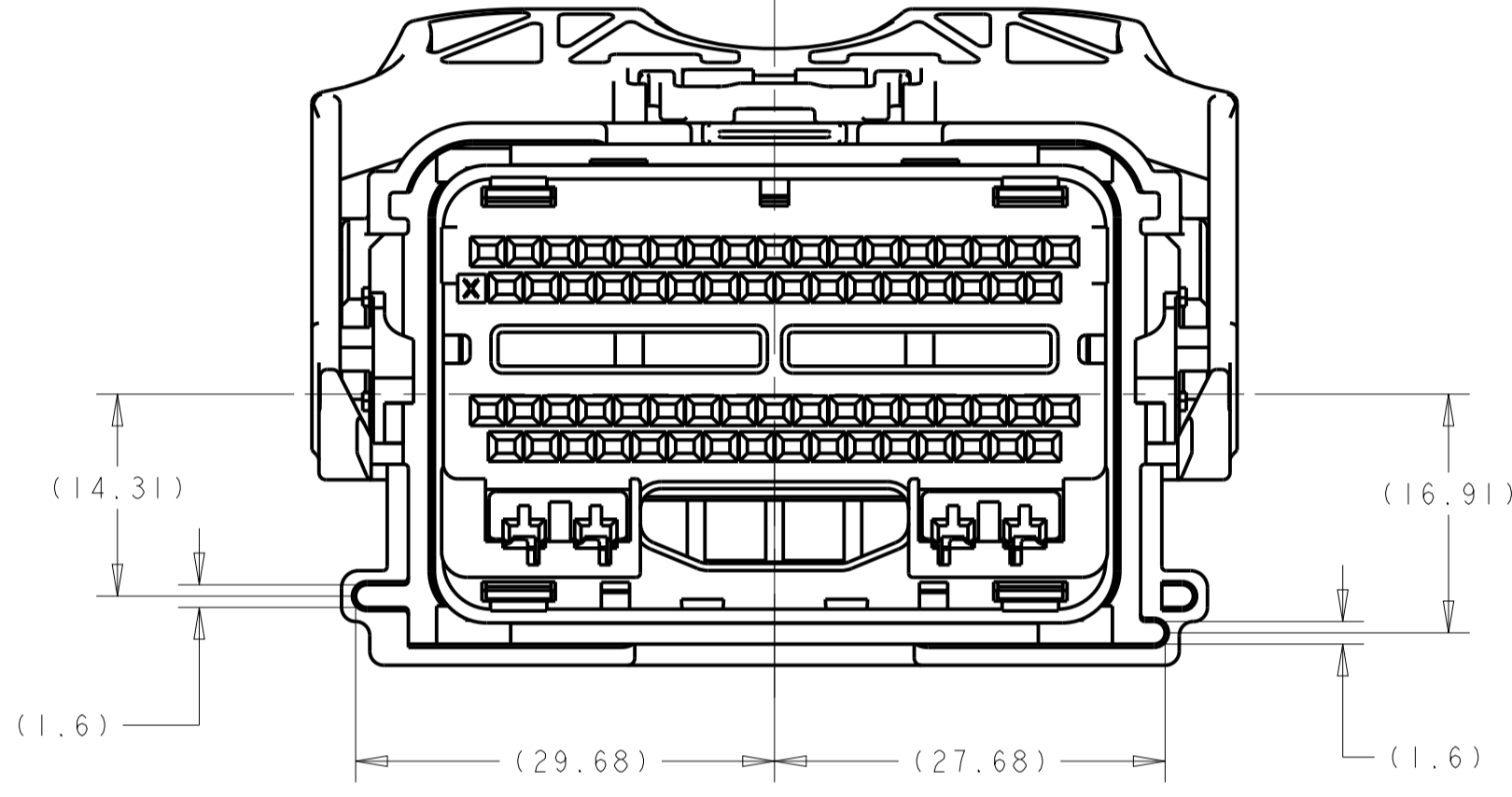
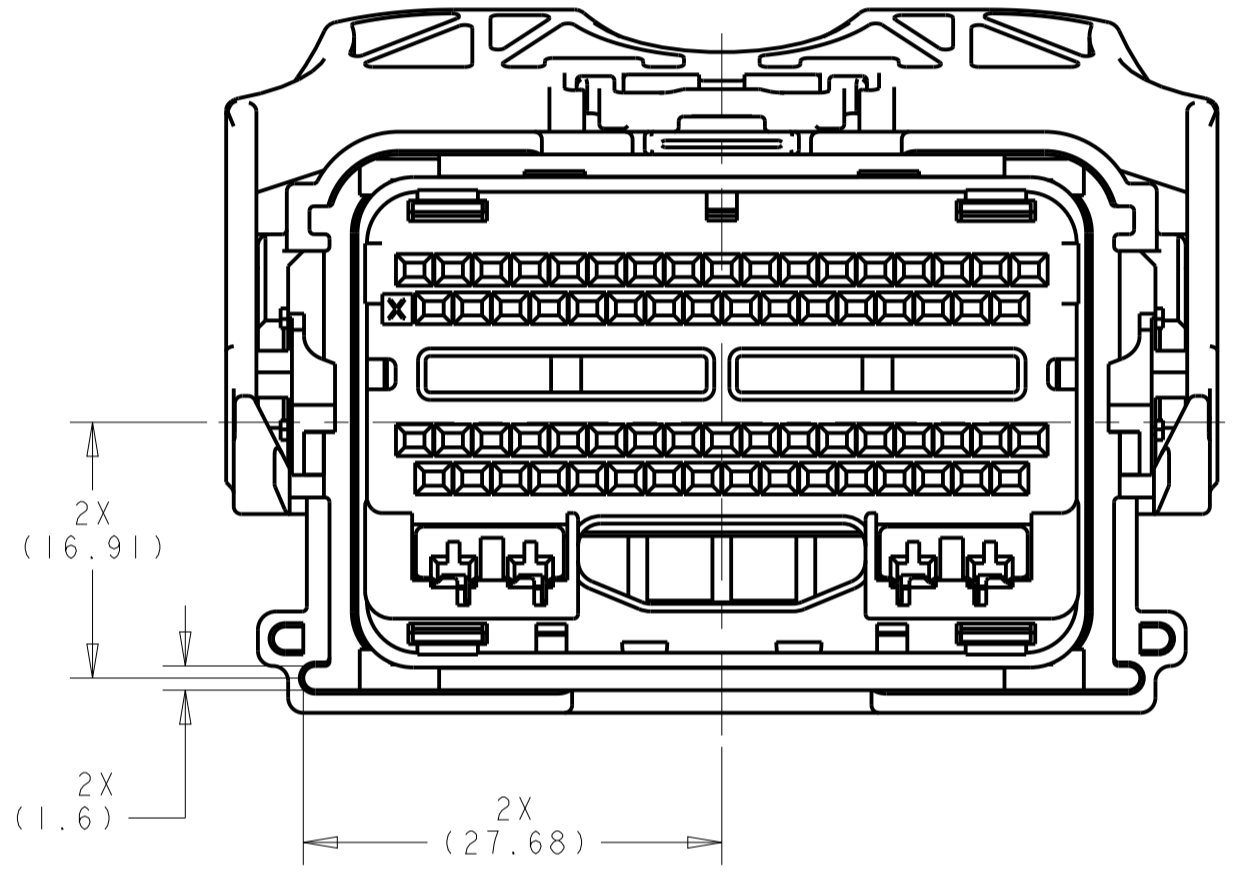
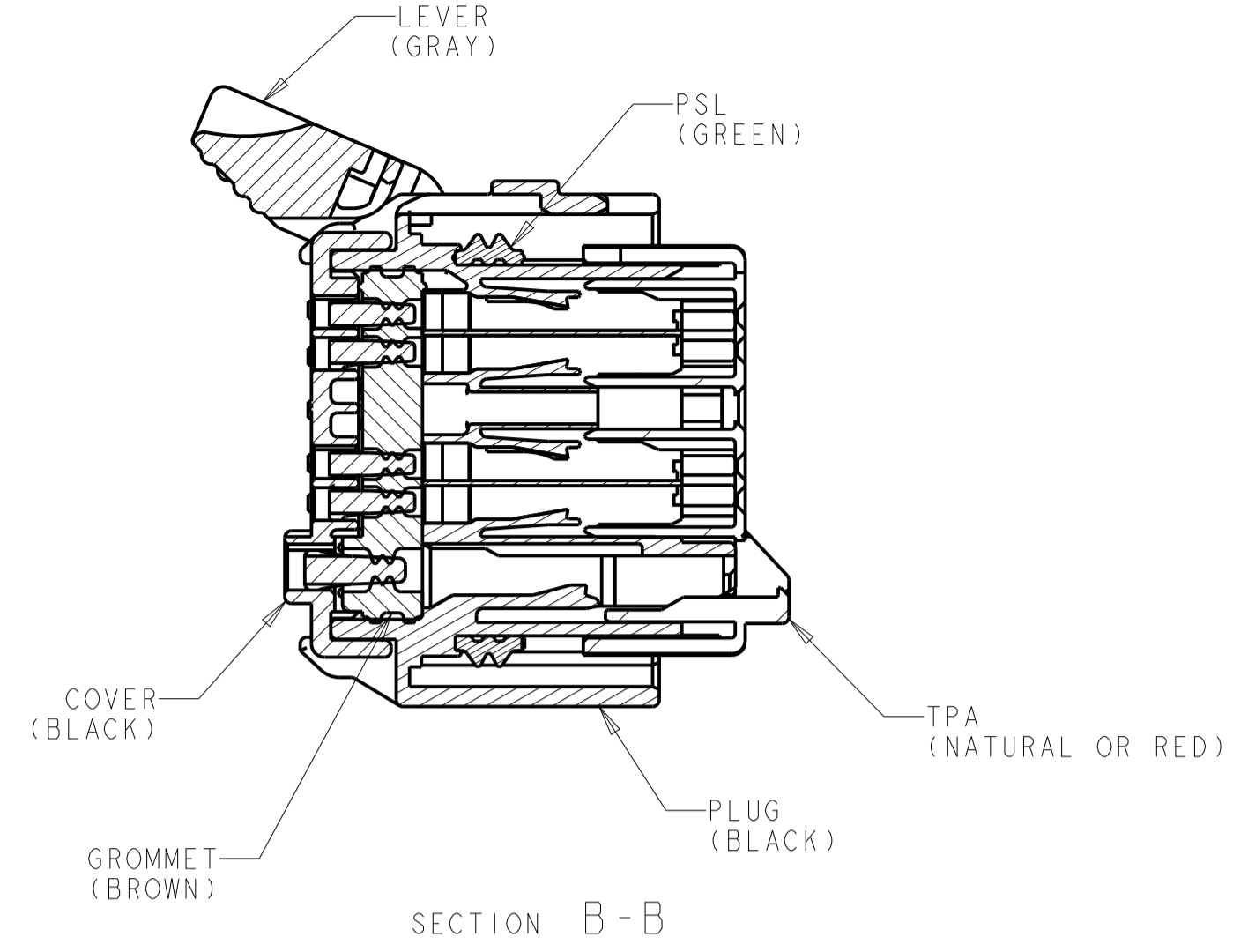
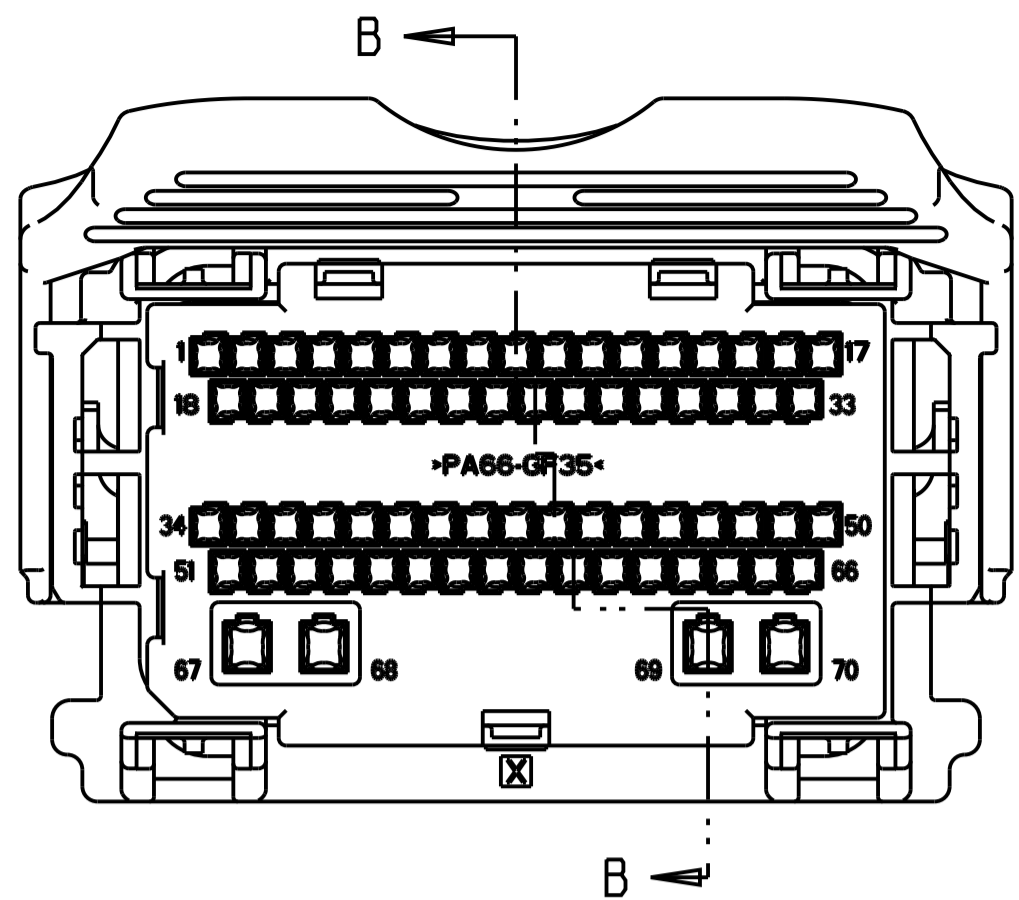
APPLICABLE COMPONENTS (FOR REFERENCE ONLY)						
DESCRIPTION	NOMINAL TERMINAL SIZE	COLOR/PLATING	FORD COMPONENT PART NUMBER	SUPPLIER PART NUMBER	MATERIAL/SPECIFICATION NUMBER	SAE WIRE SIZE
TERMINAL - FEMALE (Ag)	0.64 (CAT. 0)	SILVER	7S4T-14474-AA	1393366-2	COPPER ALLOY/SILVER PLATE	20AWG 18AWG
TERMINAL - FEMALE (Ag)	0.64 (CAT. 0)	SILVER	7S4T-14474-BA	1393367-2	COPPER ALLOY/SILVER PLATE	22AWG
TERMINAL - FEMALE (Sn)	0.64 (CAT. 0)	TIN	1L2T-14474-AA	1393366-1	COPPER ALLOY/TIN PLATE	20AWG 18AWG
TERMINAL - FEMALE (Sn)	0.64 (CAT. 0)	TIN	1L2T-14474-BA	1393367-1	COPPER ALLOY/TIN PLATE	22AWG
TERMINAL - FEMALE (Au)	0.64 (CAT. 0)	GOLD	1L2T-14474-CA	1393365-1	COPPER ALLOY/GOLD PLATE	20AWG 18AWG
TERMINAL - FEMALE (Au)	0.64 (CAT. 0)	GOLD	1L2T-14474-DA	1393364-1	COPPER ALLOY/GOLD PLATE	22AWG

SEE SHEETS 3 THRU 7
PART NUMBER

THIS DRAWING IS A CONTROLLED DOCUMENT.

OWN: R. VESTAL 15APR2005	TE Connectivity 70-WAY HARNESS ASSEMBLY
CHK: T. VALASEK 15APR2005	
APVD: T. VALASEK 15APR2005	
NAME: T. VALASEK	
DIMENSIONS: mm	PRODUCT SPEC
TOLERANCES UNLESS OTHERWISE SPECIFIED:	APPLICATION SPEC
0 PLC ±0.3	SIZE: CAGE CODE: DRAWING NO:
1 PLC ±0.10	A100779C=1438136
2 PLC ±0.10	RESTRICTED TO:
3 PLC ±0.10	SCALE: 2:1 SHEET 1 OF 11 REV: G47
4 PLC ±0.10	
ANGLES ±1°	
MATERIAL:	CUSTOMER DRAWING
FINISH:	

REVISIONS				
P.	LTN	DESCRIPTION	DATE	APVD
-	-	SEE SHEET 1	-	-




THIS DRAWING IS A CONTROLLED DOCUMENT.		OWN: R. VESTAL 15APR2005	TE Connectivity
DIMENSIONS: mm		CHK: T. VALASEK 15APR2005	
TOLERANCES UNLESS OTHERWISE SPECIFIED: 0 PLC ± 1 PLC ±0.3 2 PLC ±0.10 3 PLC ± 4 PLC ± ANGLES ±1°		APVD: T. VALASEK 15APR2005	NAME: 70-WAY HARNESS ASSEMBLY
MATERIAL: -		PRODUCT SPEC: -	RESTRICTED TO: -
FINISH: -		APPLICATION SPEC: -	SIZE: A1
CUSTOMER DRAWING		WEIGHT: -	CAGE CODE: 1438136
		SCALE: 2:1	SHEET 2 OF 11
			REV: 647

REVISIONS					
P.	LTN	DESCRIPTION	DATE	DWN	APVD
-	-	SEE SHEET 1	-	-	-

CAVITIES WITH A NUMERIC SYMBOL INDICATES CLOSED TERMINAL LOCATIONS		68	67	65	62	61	55	53	49	48	43	41	39	38	35	33	32	31	30	29	28	27	26	25	24	23	22	21	20	19	18	17	16	15	14	13	12	11	10	9	8	7	6	5																											
		68	66	65	62	61	56	55	53	49	48	43	41	39	38	35	33	32	31	30	29	28	27	26	25	24	23	22	21	20	19	18	17	16	15	14	13	12	11	10	9	8	7	6	5																										
BLANK CAVITIES INDICATES OPEN TERMINAL HOLE LOCATIONS		69			63				49	48		40	37	36				31	30	29	28	27	26	25	24	23	22	21	20	19	18	17	16	15	14	13	12	11	10	9	8	7	6	5																											
TERMINAL HOLE POSITION		70	69	68	67	66	65	64	63	62	61	60	59	58	57	56	55	54	53	52	51	50	49	48	47	46	45	44	43	42	41	40	39	38	37	36	35	34	33	32	31	30	29	28	27	26	25	24	23	22	21	20	19	18	17	16	15	14	13	12	11	10	9	8	7	6	5	4	3	2	1

KEYING OPTION C

8U5T-14A464-A* PIN-OUT CHART

THIS DRAWING IS A CONTROLLED DOCUMENT.		DWN R. VESTAL 15APR2005 CHK T. VALASEK 15APR2005 APVD T. VALASEK 15APR2005	 TE Connectivity
DIMENSIONS: mm	TOLERANCES UNLESS OTHERWISE SPECIFIED: 0 PLC ±0.3 1 PLC ±0.10 2 PLC ±0.10 3 PLC ±0.10 4 PLC ±0.10 ANGLES ±1°	PRODUCT SPEC APPLICATION SPEC	NAME 70-WAY HARNESS ASSEMBLY
MATERIAL	FINISH	WEIGHT CUSTOMER DRAWING	SIZE CAGE CODE DRAWING NO A100779-1438136 RESTRICTED TO SCALE 2:1 SHEET 6 OF 11 REV 6/47

REVISIONS					
P.	LTN	DESCRIPTION	DATE	OWN	APVD
-	-	SEE SHEET 1	-	-	-


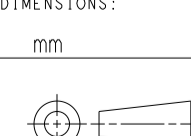
		57	55	51	49	43	36	35	33	30	27	25	24	23	22	18	17	15	11	10	9	8	6	3	2	1	3-2035383-0	8U5T-14A464-BA-056				
		56	55	54	52	51	49			39	36	35	34	33	31				12		9			4		1	2-2035383-9	8U5T-14A464-BA-055				
																											2-2035383-7	8U5T-14A464-BA-054				
	64 63																										2-2035383-5	8U5T-14A464-BA-053				
		57	56	55	54	51	49			39	36	35	33						12		10	9	8		5	4	1	2-2035383-4	8U5T-14A464-BA-052			
		57	56	55	54	51	49			39	36	35	33						12		11	10	9	8		6	5	4	3	1	1-2035383-9	8U5T-14A464-BA-051
	64 63																											1-2035383-8	8U5T-14A464-BA-050			
		57	55	54		49				43	41	39																1-2035383-3	8U5T-14A464-BA-049			
		57	55	54		49				43	41	39																1-2035383-2	8U5T-14A464-BA-048			
		57	55	54		49				41	40	39																2035383-9	8U5T-14A464-BA-047			
	64 63																											2035383-7	8U5T-14A464-BA-046			
		57	56	55	54		49			39	36	35	33						12		11	10	9	8		6	5	4	3	1	2035383-1	8U5T-14A464-BA-045
										39																			9-1456659-8	8U5T-14A464-BA-044		
										39																			9-1456659-6	8U5T-14A464-BA-043		
		57	55	54	53	51	49				37																	9-1456659-3	8U5T-14A464-BA-042			
		57	55	54	53	52	51	49			37																	9-1456659-1	8U5T-14A464-BA-041			
		57	55	54		49				43		39																8-1456659-9	8U5T-14A464-BA-040			
		57	55	54		49				43		39																8-1456659-8	8U5T-14A464-BA-039			
		57	55	54	53	51	49				37																	8-1456659-7	8U5T-14A464-BA-038			
		57	55	54		49				43		39																8-1456659-4	8U5T-14A464-BA-037			
		57	55	54		49				39																		8-1456659-3	8U5T-14A464-BA-036			
		57	55	54		49				39																		8-1456659-2	8U5T-14A464-BA-035			
		57	55	54		49				41	40	39																8-1456659-1	8U5T-14A464-BA-034			
		56	55	54		49				39																		8-1456659-0	8U5T-14A464-BA-033			
		56	55	54	52	51	49			39																		7-1456659-9	8U5T-14A464-BA-032			
		56	55	54	52	51	49			39																		7-1456659-8	8U5T-14A464-BA-031			
		57	56	55	54		49			39																		7-1456659-7	8U5T-14A464-BA-030			
		57	55	54		49				43		39																7-1456659-6	8U5T-14A464-BA-029			
		57	55	54		49				43		39																7-1456659-5	8U5T-14A464-BA-028			
		57	55	54		49				43		39																7-1456659-4	8U5T-14A464-BA-027			
		57	55	54	53	51	49				37																	7-1456659-2	8U5T-14A464-BA-026			
		57	55	54	53	51	49				37																	6-1456659-9	8U5T-14A464-BA-025			
		57	56		54		49			39																		6-1456659-8	8U5T-14A464-BA-024			
		57	55		51	49				43		39																6-1456659-7	8U5T-14A464-BA-023			
		57	56	55	54		49			39																		6-1456659-6	8U5T-14A464-BA-022			
		57	55	54		49				43		39																6-1456659-5	8U5T-14A464-BA-021			
		56	55	54		49				39																		6-1456659-3	8U5T-14A464-BA-020			
		57	55	54	53	52	51	49			37																	6-1456659-2	8U5T-14A464-BA-019			
		56	55	54	52	51	49			39																		6-1456659-1	8U5T-14A464-BA-018			
		56	55	54		49				39																		6-1456659-0	8U5T-14A464-BA-017			
		57	55	54		49				43		39																5-1456659-2	8U5T-14A464-BA-016			
		57	55	54		49				43		39																5-1456659-1	8U5T-14A464-BA-015			
		57	55	54	53	52	51	49			37																	4-1456659-1	8U5T-14A464-BA-014			
		57	56		54	52	51	49			39																	2-1456659-8	8U5T-14A464-BA-013			
		57	56		54		49			39																		2-1456659-7	8U5T-14A464-BA-012			
		57	55	54	53	51	49				37																	2-1456659-6	8U5T-14A464-BA-011			
		57	55	54		49				43		39																2-1456659-5	8U5T-14A464-BA-010			
		57	55	54	53	51	49				37																	1-1456659-2	8U5T-14A464-BA-009			
		57	56	55	54		49			39																		1456659-8	8U5T-14A464-BA-008			
		57	56	55	54		49			39																		1456659-1	8U5T-14A464-BA-007			
		59	57	56	55	54		49			43		39															9-1438136-5	8U5T-14A464-BA-006			
		57	56		54		49			39																		9-1438136-2	8U5T-14A464-BA-005			
		57	56		54	52	51	49			39																	9-1438136-1	8U5T-14A464-BA-004			
		57	56		54		49			39																		9-1438136-0	8U5T-14A464-BA-003			
		57	56		54	52	51	49			39																	8-1438136-9	8U5T-14A464-BA-002			
		57	56		54	53	51	49			39																	8-1438136-4	8U5T-14A464-BA-001			
																												1438136-4	8U5T-14A464-BA-000			

KEYING OPTION D

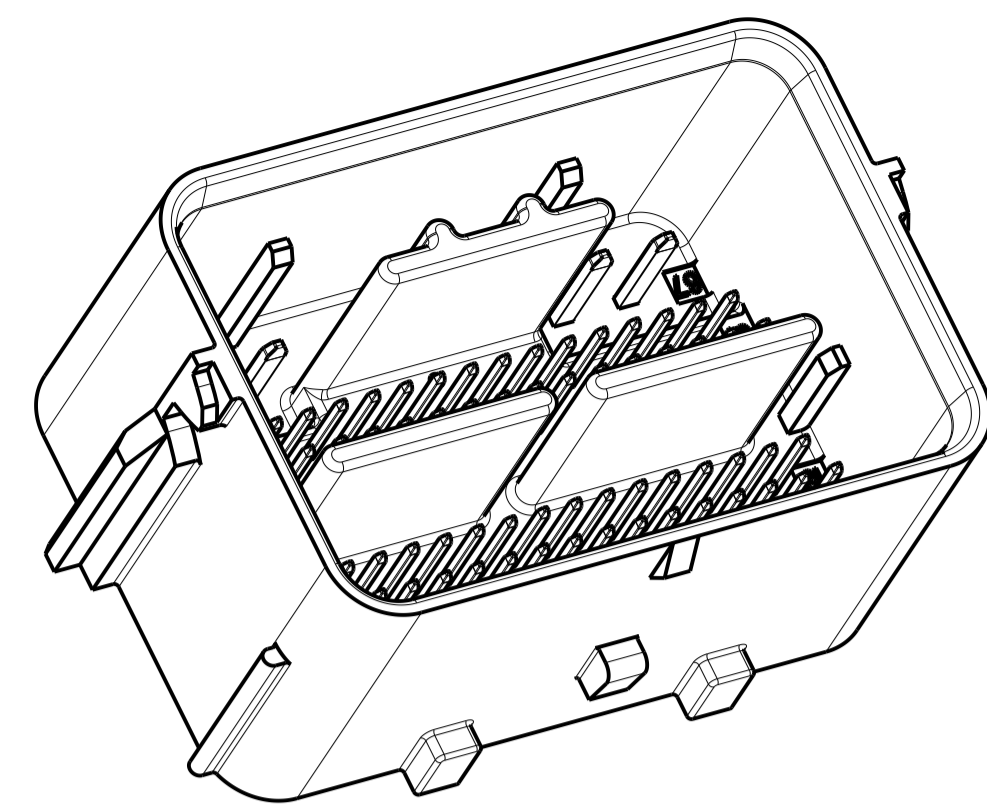
CAVITIES WITH A NUMERIC SYMBOL INDICATES CLOSED TERMINAL LOCATIONS
 BLANK CAVITIES INDICATES OPEN TERMINAL HOLE LOCATIONS

TERMINAL HOLE POSITION

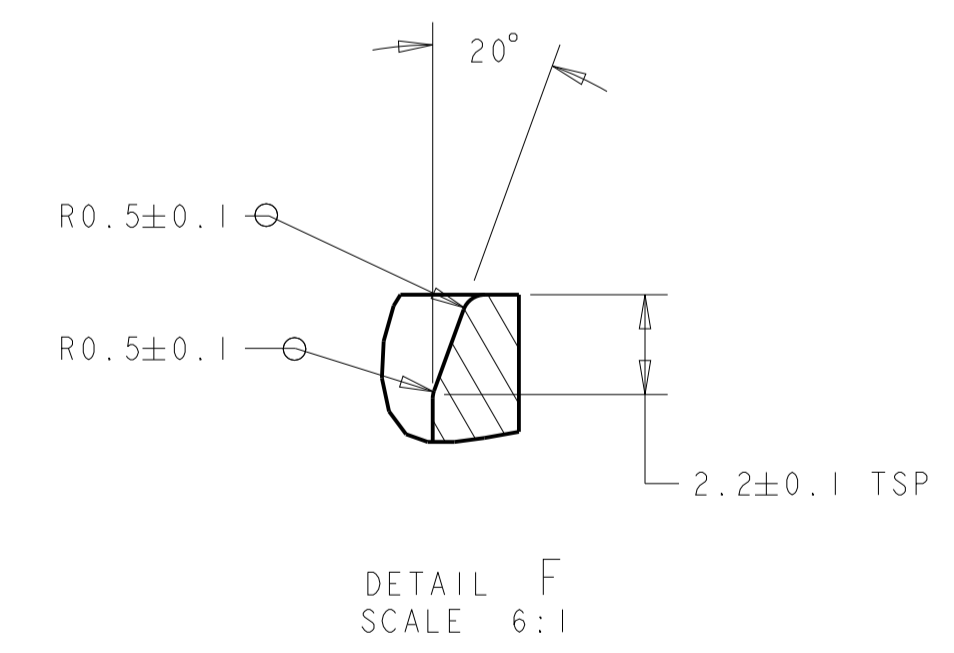
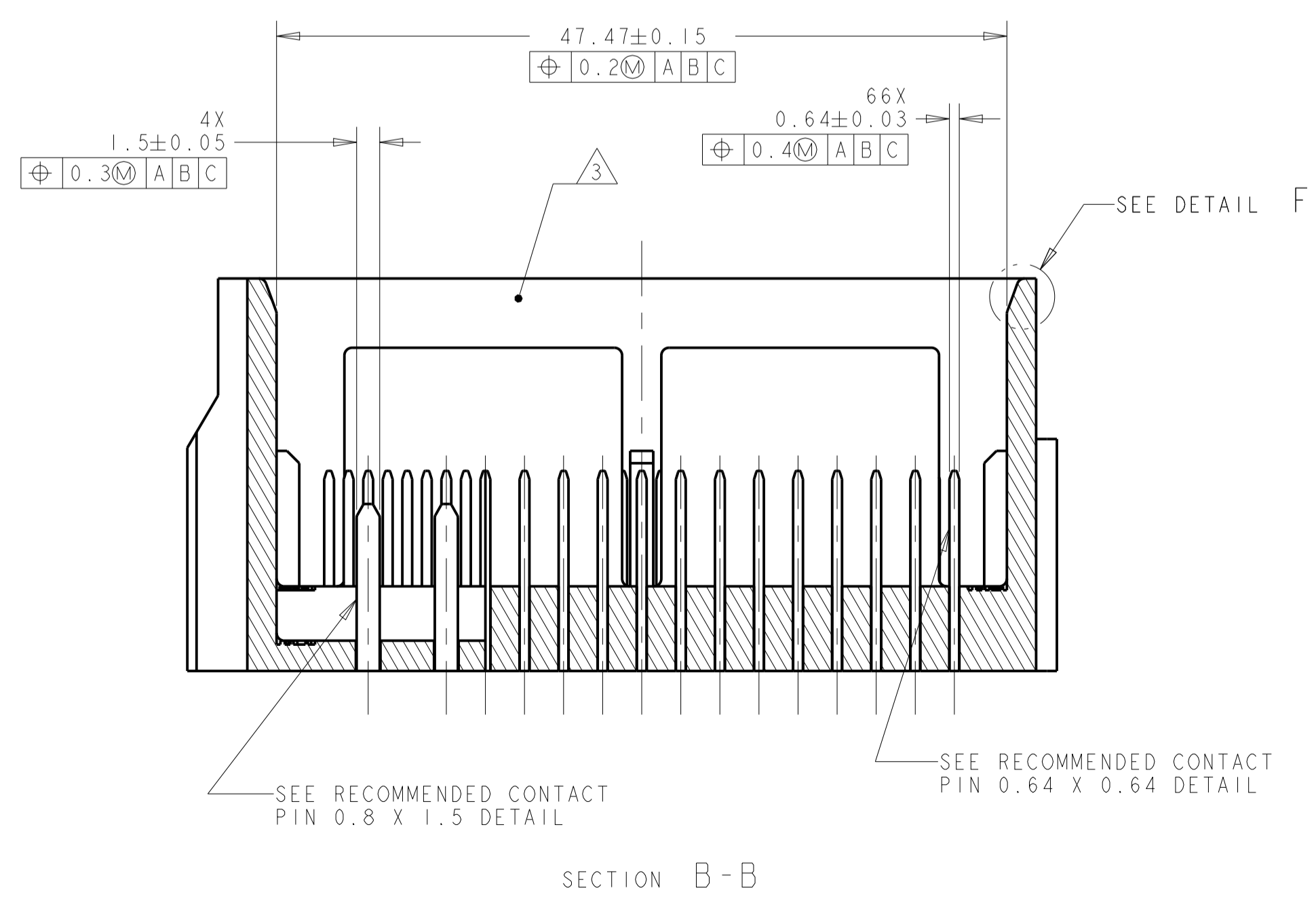
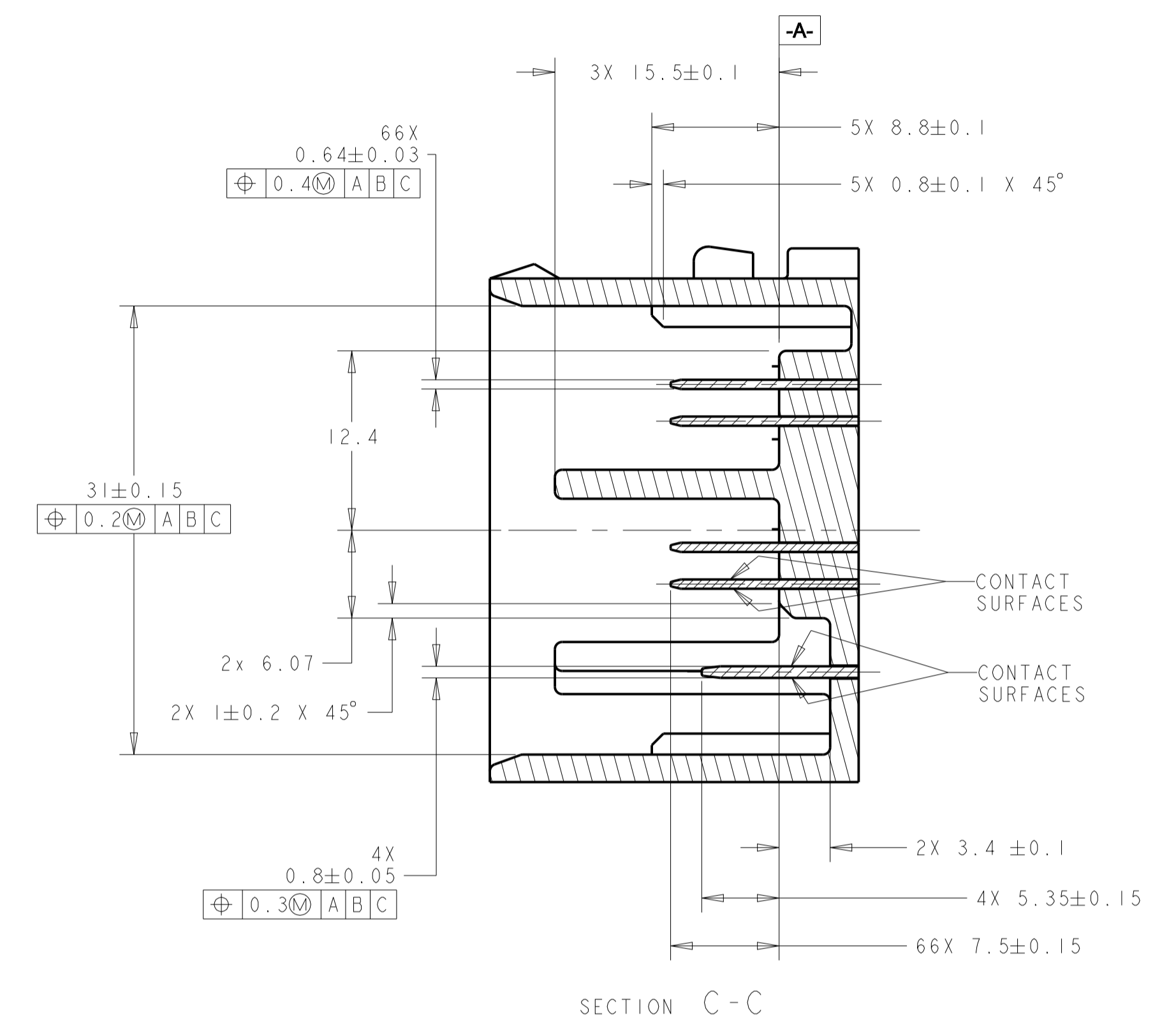
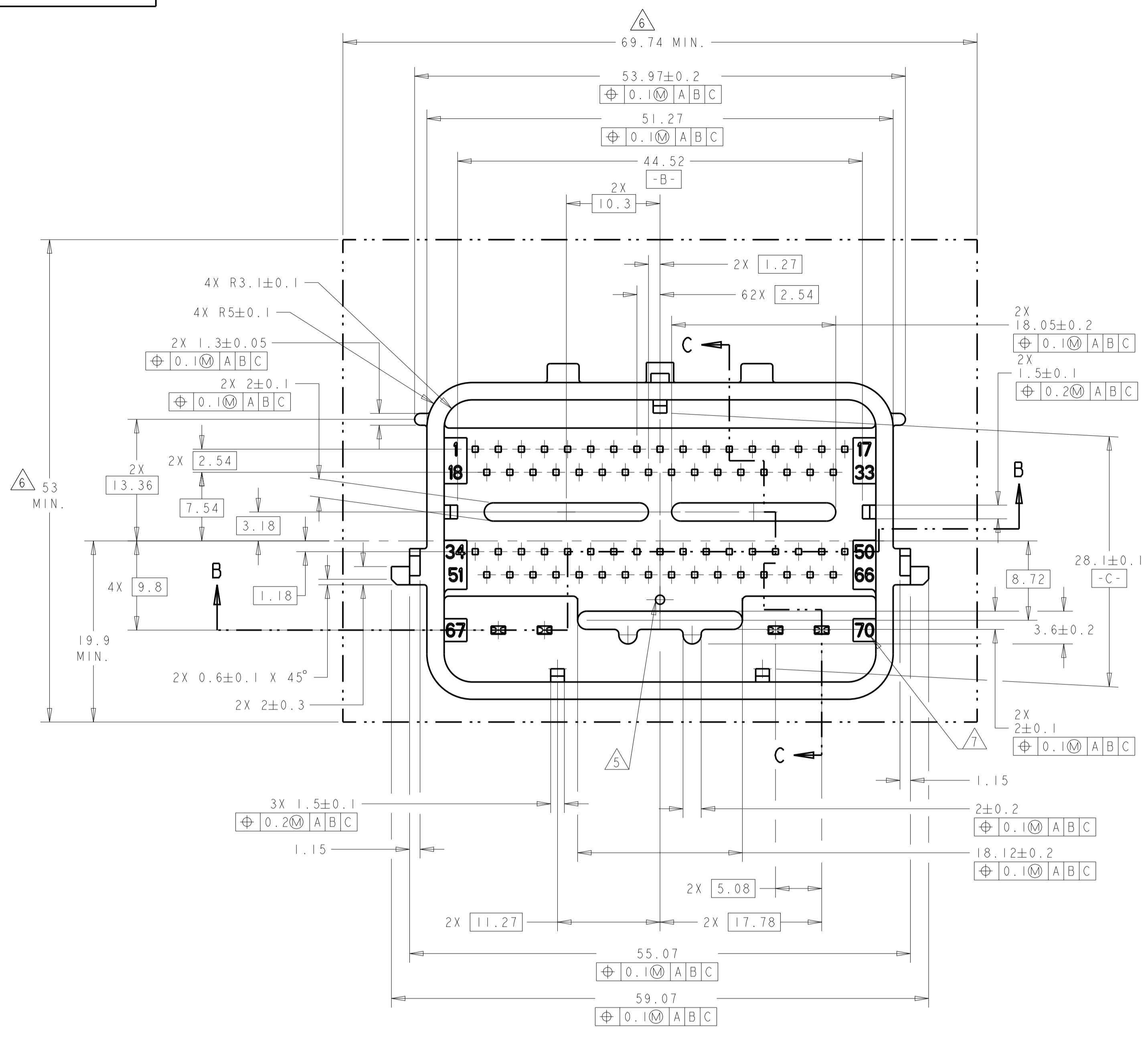
8U5T-14A464-B* PIN-OUT CHART

THIS DRAWING IS A CONTROLLED DOCUMENT.		OWN: R. VESTAL 15APR2005	 TE Connectivity NAME: 70-WAY HARNESS ASSEMBLY
DIMENSIONS: mm		CHK: T. VALASEK 15APR2005	
 TOLERANCES UNLESS OTHERWISE SPECIFIED: 0 PLC ±0.3 1 PLC ±0.10 2 PLC ±0.10 3 PLC ±0.10 4 PLC ±0.10 ANGLES ±0.5°		APVD: T. VALASEK 15APR2005	PRODUCT SPEC: -
MATERIAL: -		FINISH: -	APPLICATION SPEC: -
WEIGHT: -		CUSTOMER DRAWING: -	SIZE: A100779
SCALE: 2:1		SHEET: 7 OF 11	RESTRICTED TO: -

REVISIONS				
REV	DATE	BY	CHKD	APVD
-	-	-	-	-
SEE SHEET 1				



SCALE 2:1

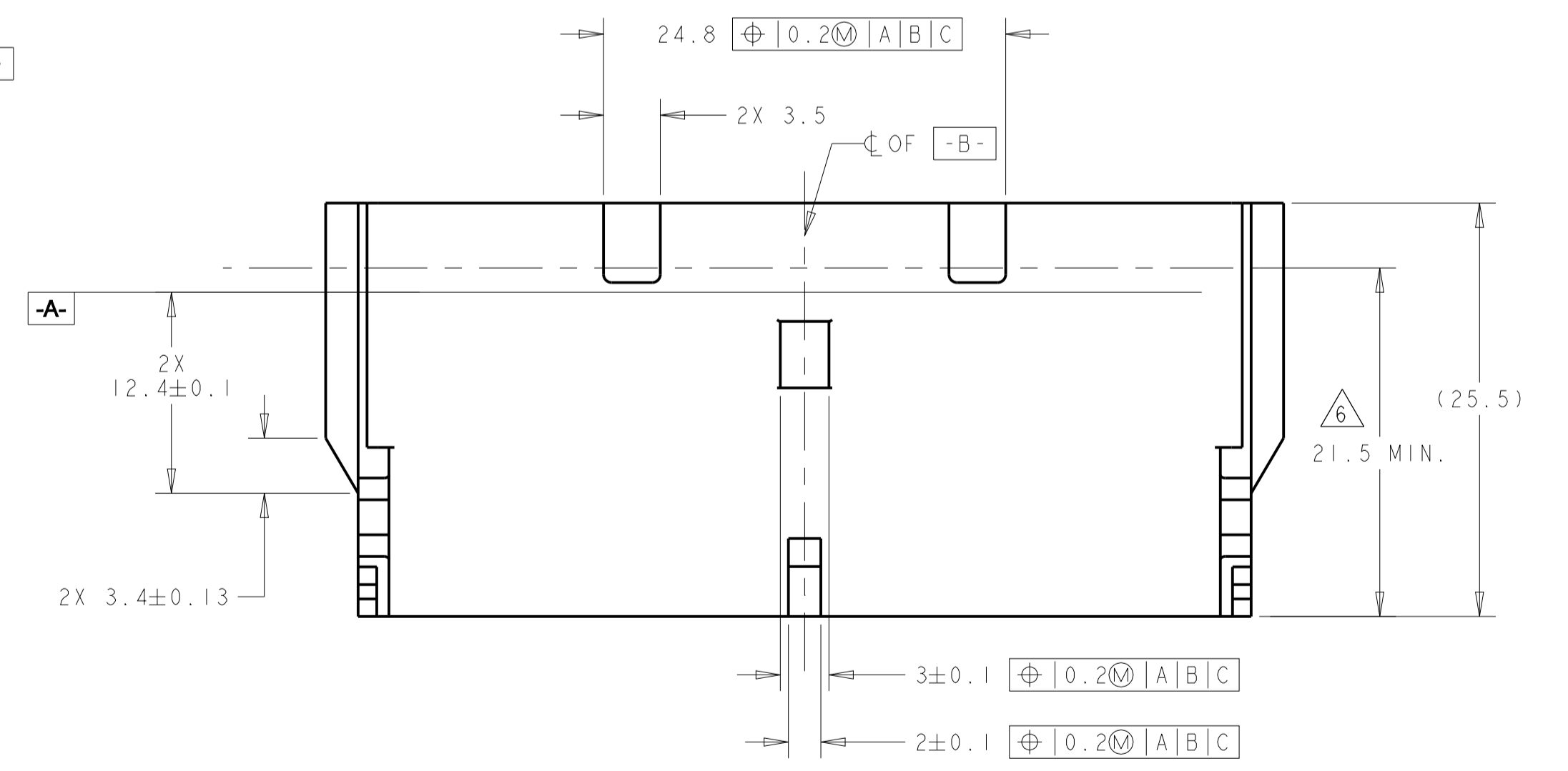
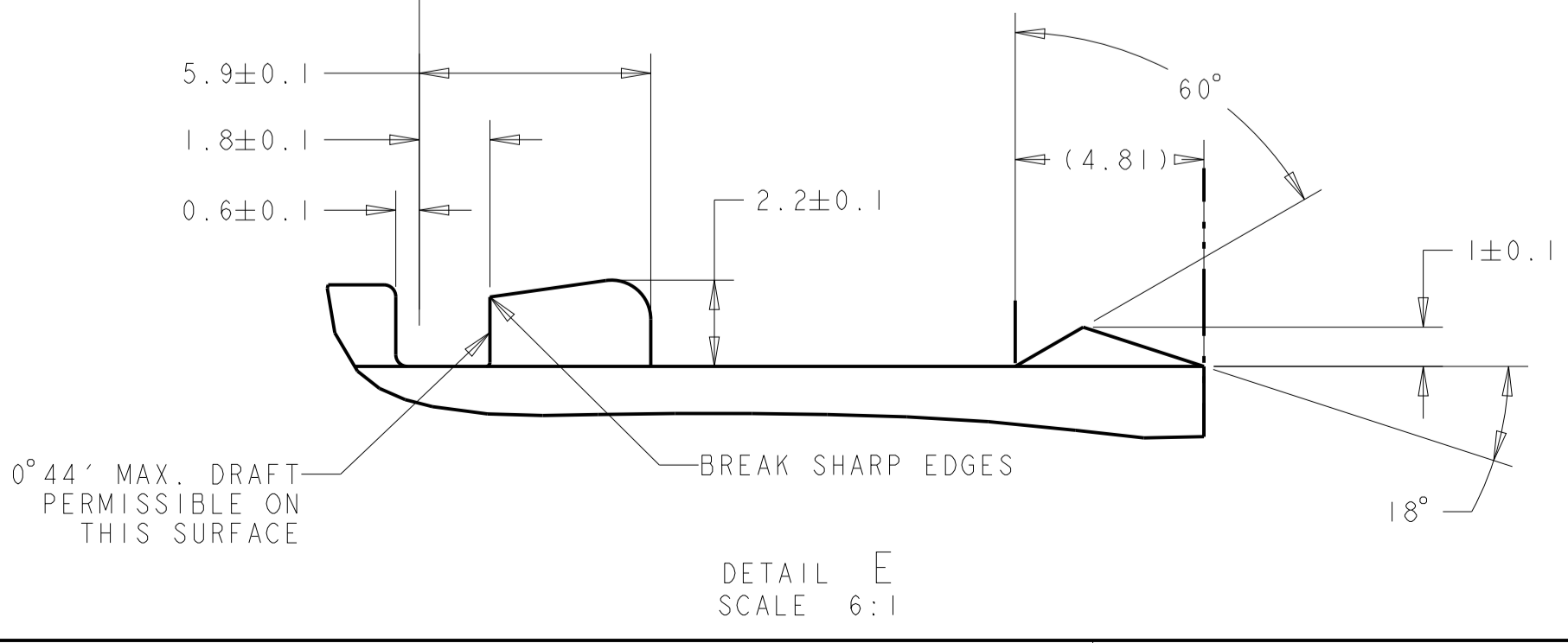
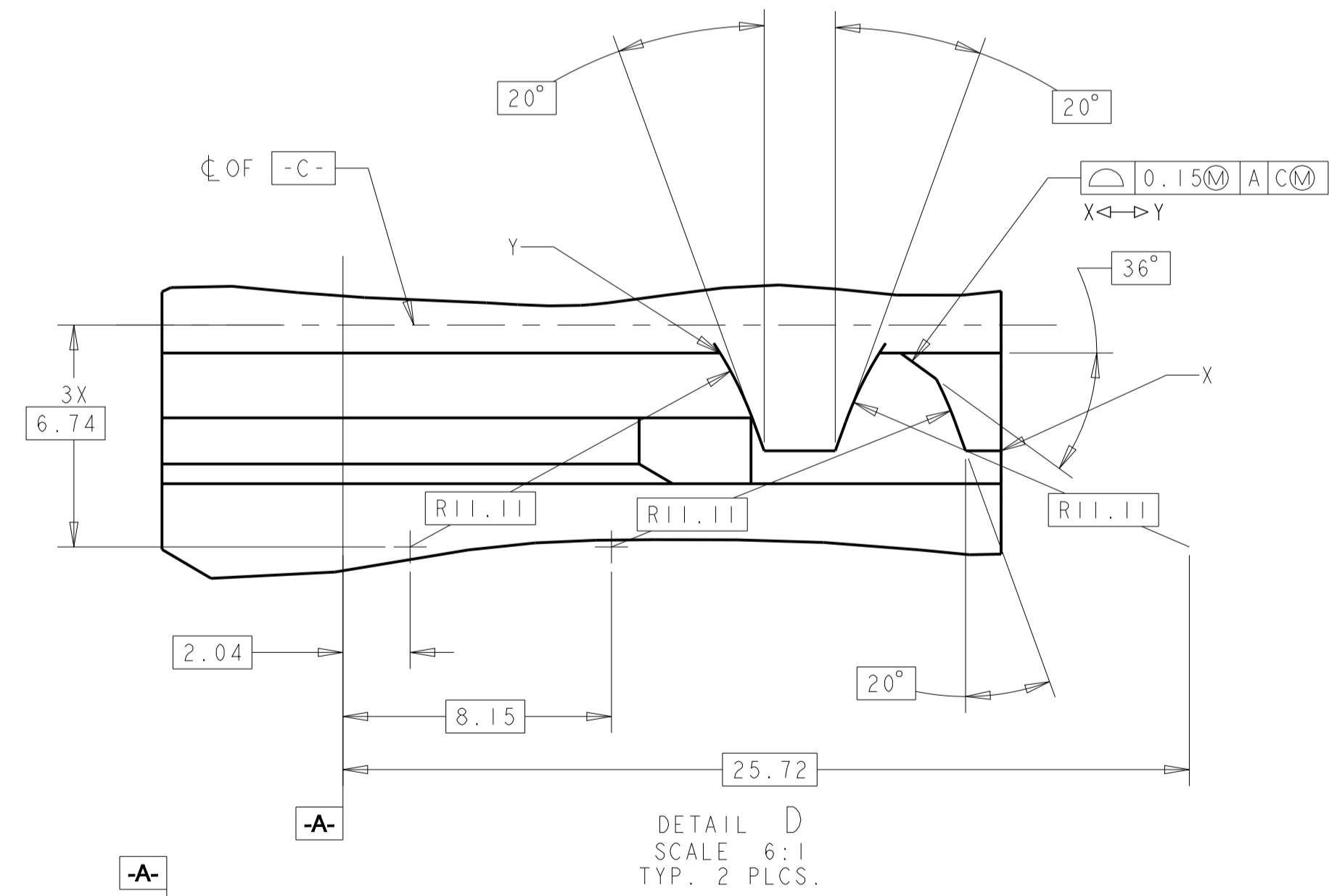
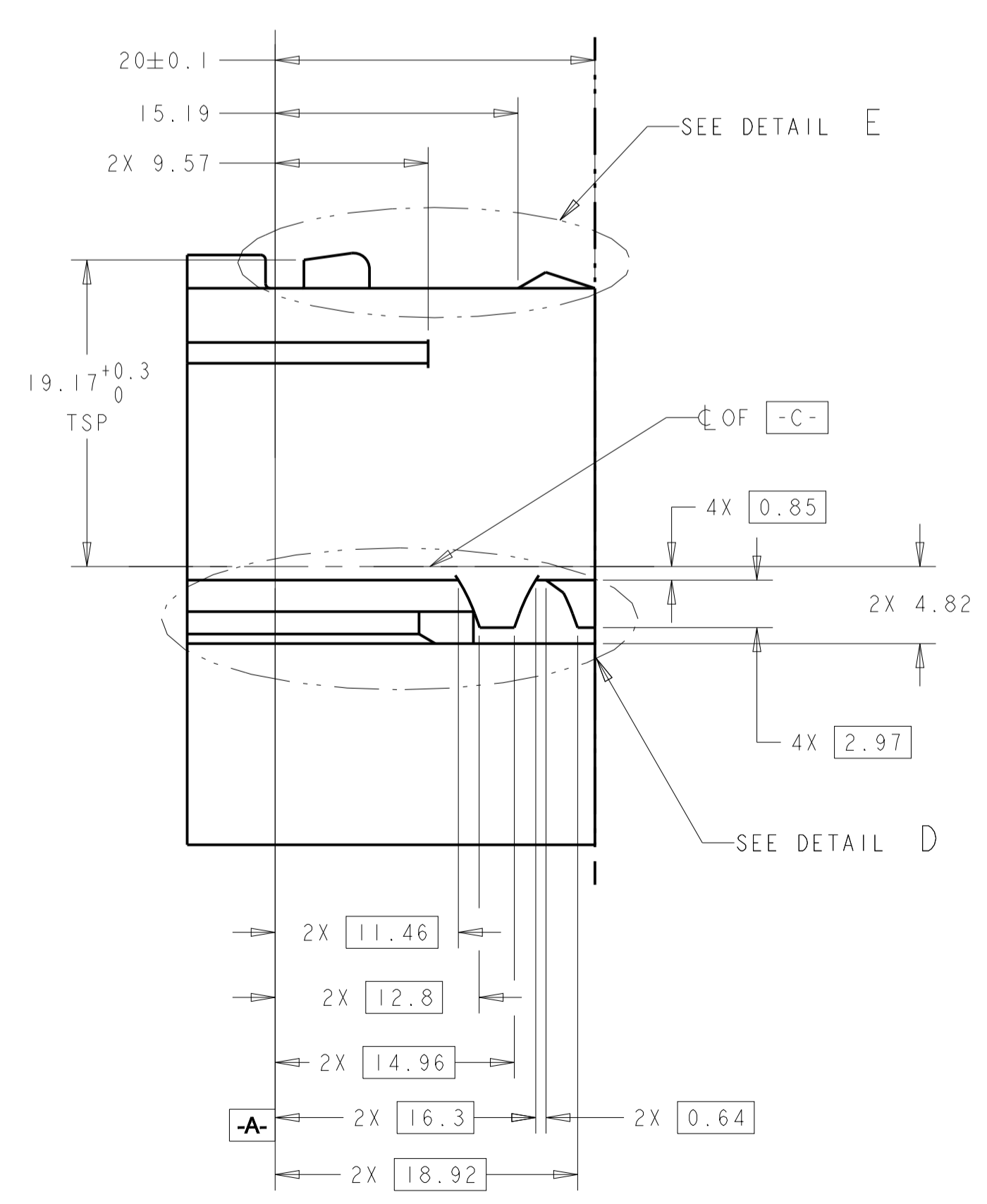
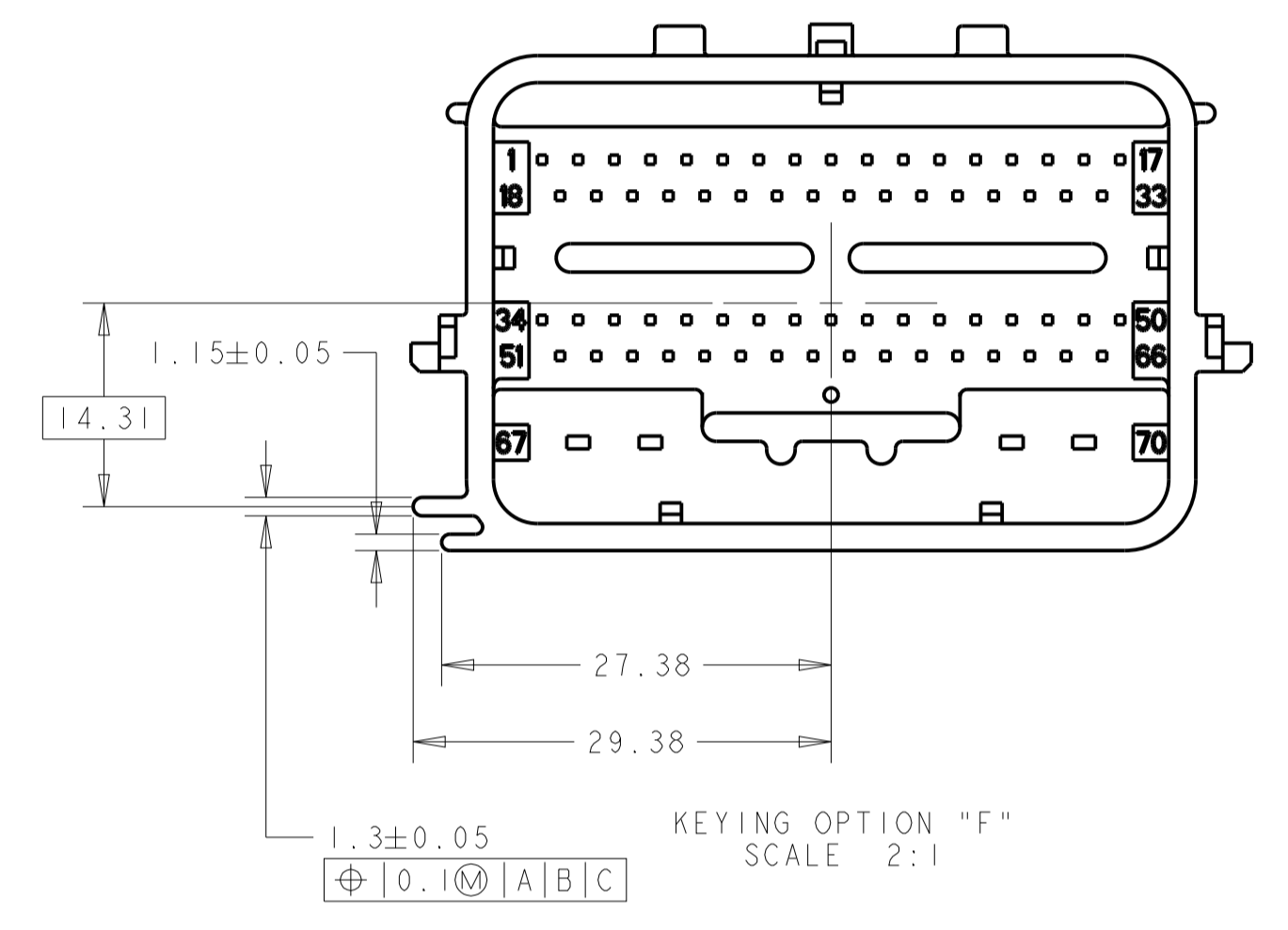
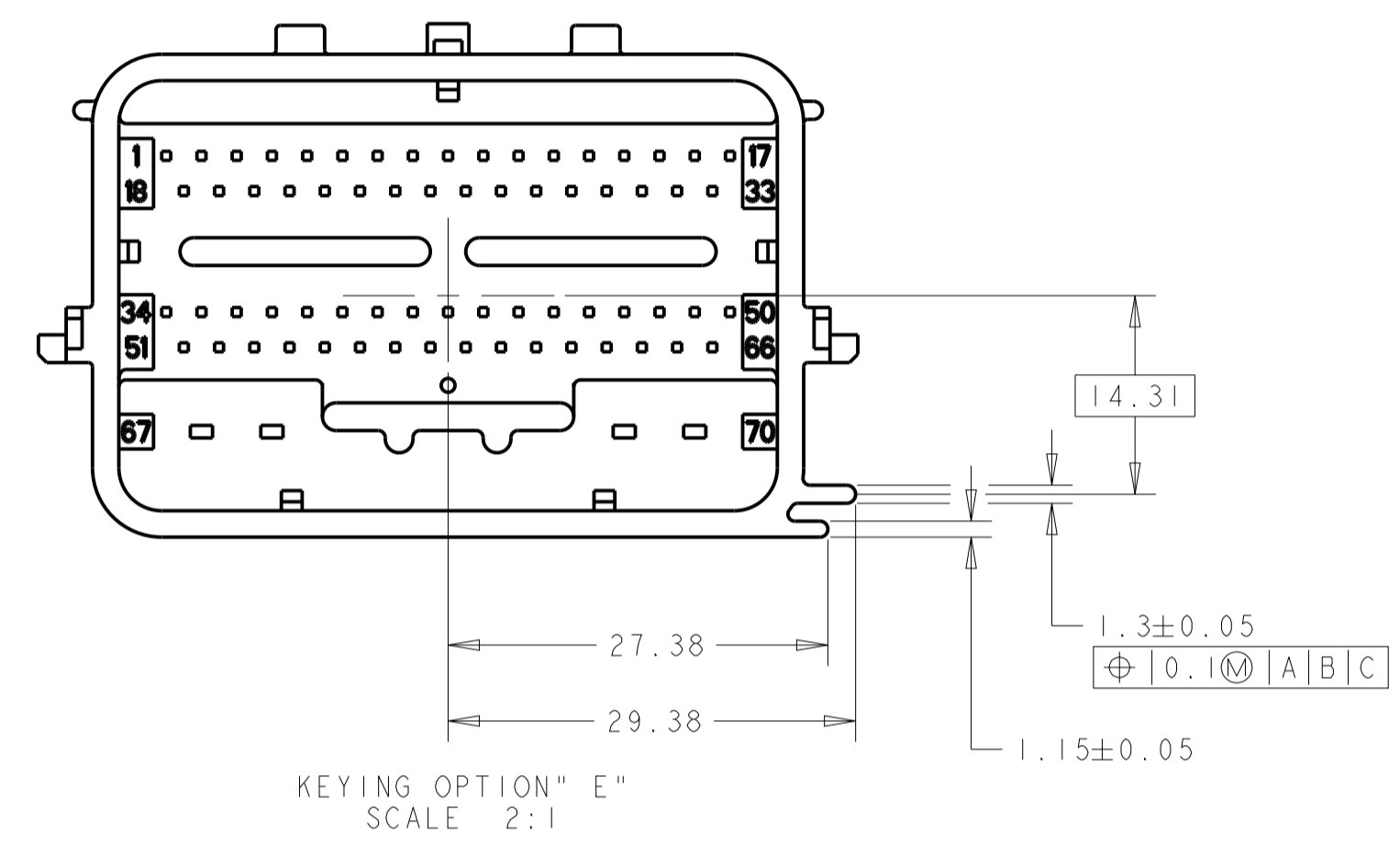
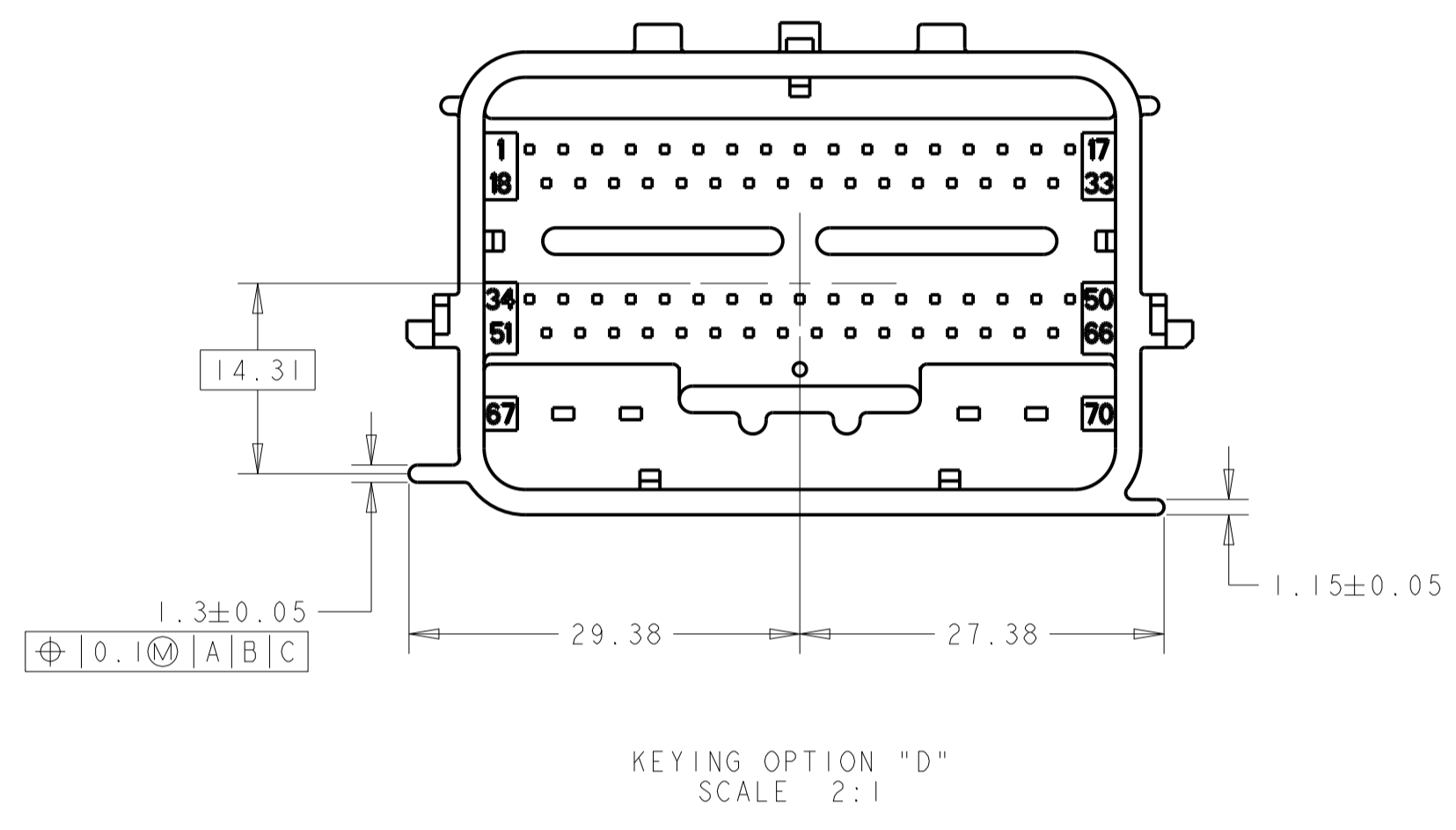
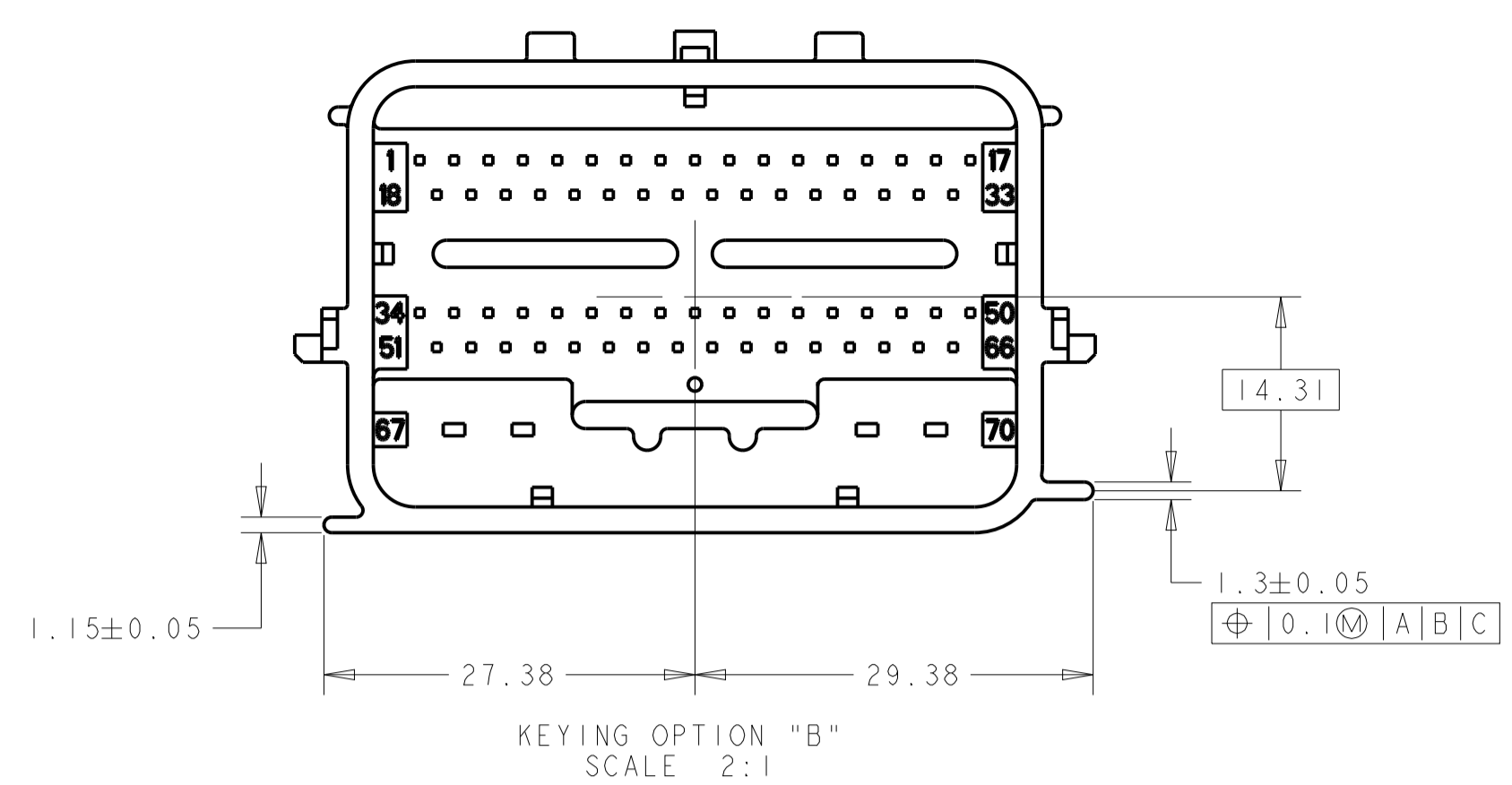
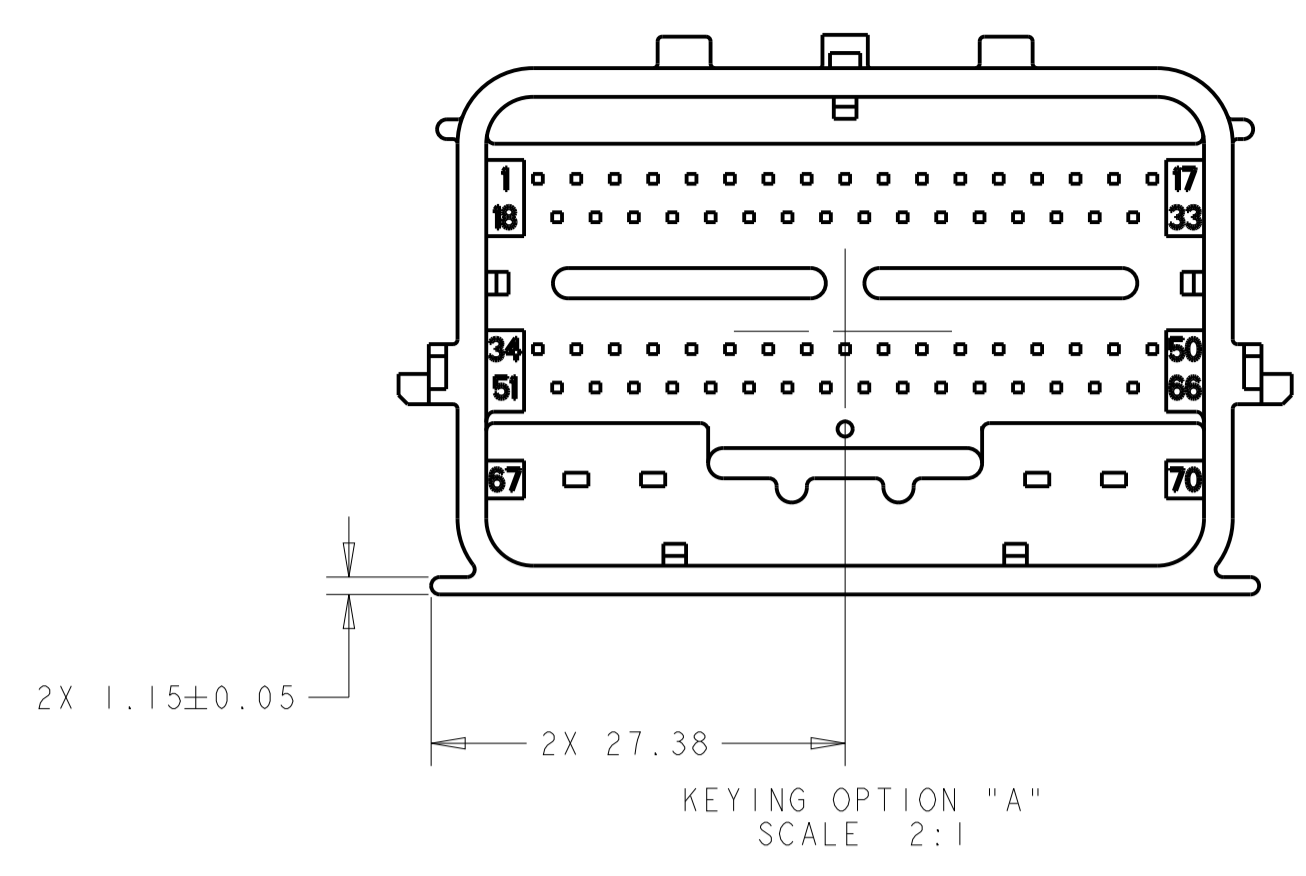


- NOTES: UNLESS OTHERWISE SPECIFIED
- GENERAL TOLERANCE:
 ±0.3 ALL ONE PLACE DIMENSIONS
 ±0.10 ALL TWO PLACE DIMENSIONS
 ±1°00' ALL ANGULAR DIMENSIONS
 - DRAFT ANGLE PERMISSIBLE ONLY WITHIN DRAWING TOLERANCE.
 - SEALING SURFACE, NO WITNESS LINES OF DAMAGE PERMITTED.
 - ALL UNMARKED RADI TO BE 0.5 MAX., UNLESS OTHERWISE SPECIFIED
 - VENT HOLE SIZE AND LOCATION IS OPTIONAL.
 - THIS AREA TO REMAIN CLEAR FOR THE HARNESS ASSEMBLY.
 - TERMINAL POSITION IDENTIFICATION.
 - MATES WITH TYCO ELECTRONICS PART# 1438136-*

THIS DRAWING IS A CONTROLLED DOCUMENT.		OWN: R. VESTAL 15APR2005	TE Connectivity 70-WAY HARNESS ASSEMBLY
DIMENSIONS: mm		CHK: T. VALASEK 15APR2005	
TOLERANCES UNLESS OTHERWISE SPECIFIED:		APVD: T. VALASEK 15APR2005	
0 PLC ±0.3 1 PLC ±0.3 2 PLC ±0.10 3 PLC ±0.10 4 PLC ±0.10 ANGLES ±1°		PRODUCT SPEC APPLICATION SPEC WEIGHT CUSTOMER DRAWING	
MATERIAL	FINISH	SIZE: A100779	RESTRICTED TO
		CAGE CODE: C=1438136	
		SCALE: 2:1	SHEET 10 OF 11
		REV: 647	

HEADER INTERFACE KEYING OPTIONS

REVISIONS				
P.	LTN.	DESCRIPTION	DATE	APP'D.
-	-	SEE SHEET 1	-	-



THIS DRAWING IS A CONTROLLED DOCUMENT.		OWN: R. VESTAL 15APR2005	TE Connectivity
DIMENSIONS: mm		CHK: T. VALASEK 15APR2005	
TOLERANCES UNLESS OTHERWISE SPECIFIED:		APVD: T. VALASEK 15APR2005	NAME: 70-WAY HARNESS ASSEMBLY
0 PLC	±	PRODUCT SPEC	SIZE: CAGE CODE DRAWING NO.
1 PLC	±0.3	APPLICATION SPEC	RESTRICTED TO
2 PLC	±0.10	WEIGHT	A100779C=1438136
3 PLC	±	CUSTOMER DRAWING	SCALE 2:1 SHEET 11 OF 11 REV 647
4 PLC	±		
ANGLES	±		